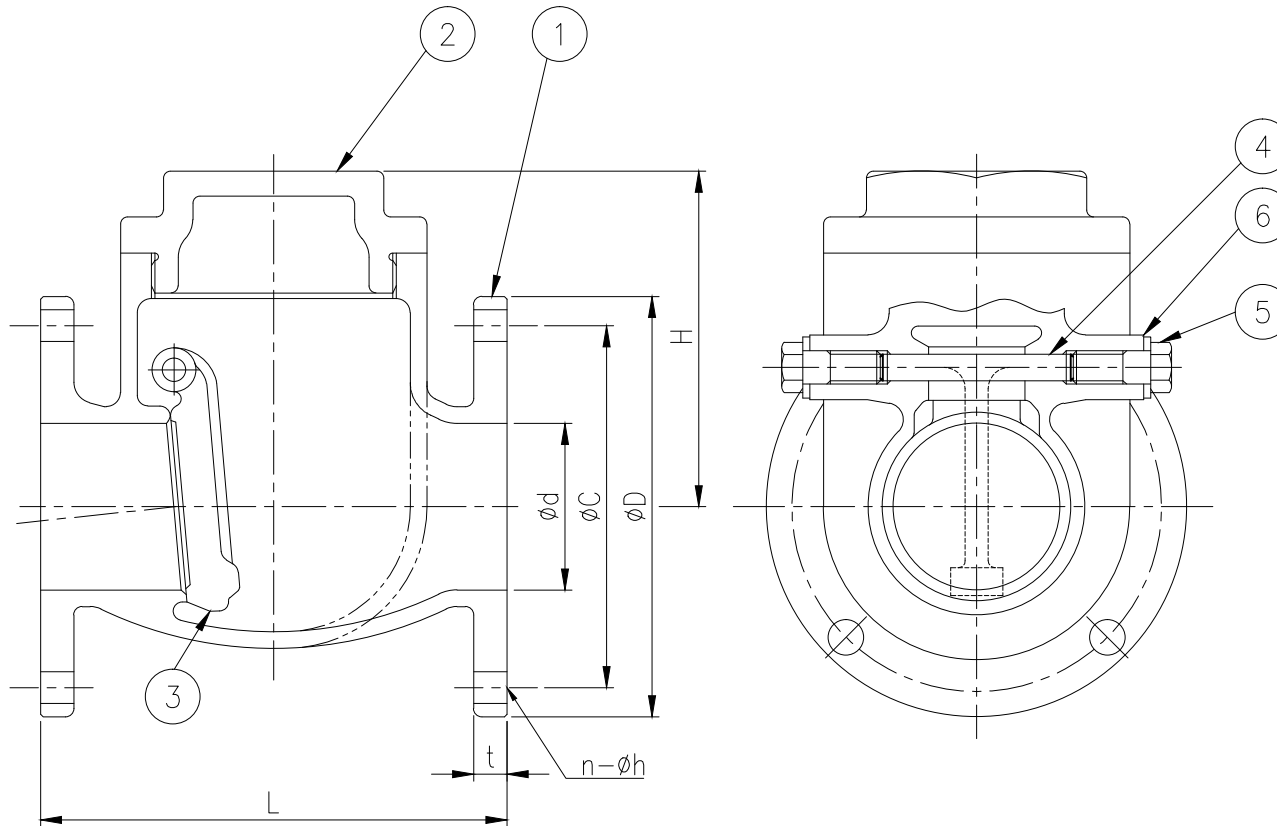


DRAWING FOR APPROVAL

Hydro' Test Pressure

	Kgf/cm ²	MPa
BODY	21	2.06
SEAT	15.4	1.51



NOTE

- * Applicable Standard
- 1. Valve Standard & Code : Ref.JIS F7371
- 2. Flange Dimension : AS2129 TABLE "E"
- 3. Flange Thickness : JIS B2240
- 4. Inspection & Test : JIS F7400

6	Gasket	PTFE
5	Plug	C3604 BE
4	Hinge pin	C3771 BE
3	Disc	BC6
2	Bonnet	
1	Body	

NO.	COMPONENT	MATERIAL
△		
△		
△	First Issued	-
No.	ALTERNATION	SEAL

TITLE BRONZE, SWING CHECK VALVE
JIS 10K

DRAWN.	CHEC.	APPRO.	DATE	2013.02.25	SCALE	N	S
H.Y.JUNG	S.H.AHN	H.G.KIM	TYPE	Screwed bonnet			
			DWG. NO.	SCVW-BC-10K-40A-F7371			

DIMENSION [Unit: mm]

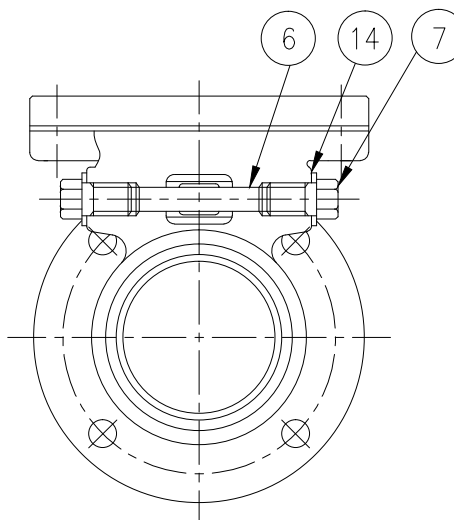
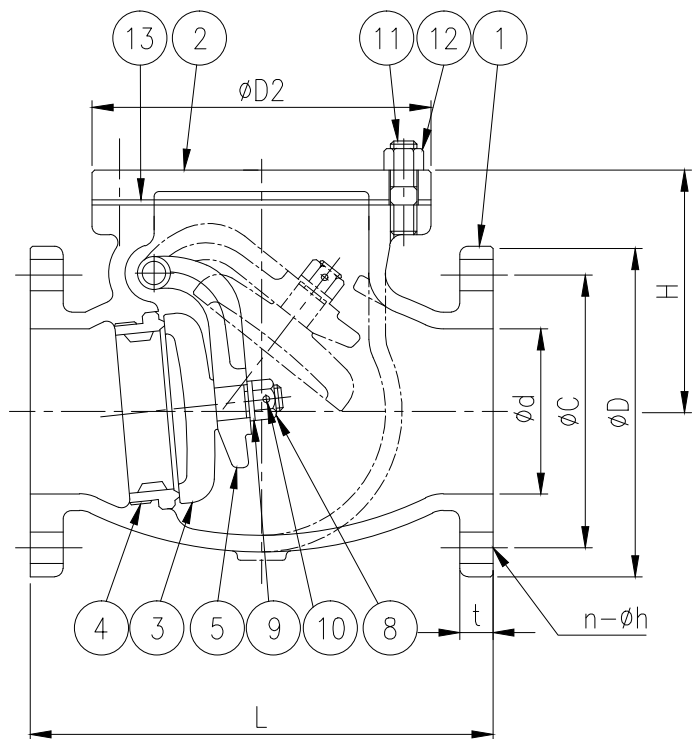
SIZE	Ød	FLANGE AS2129 TABLE "E"				L	H	Remark
		ØD	ØC	n-Øh	t			
40A	40	135	98	4-14	16	140	93	

OKV OK KWANG Engineering Co., Ltd

DRAWING FOR APPROVAL

Hydro' Test Pressure

	Kgf/cm ²	MPa
BODY	21	2.06
SEAT	15.4	1.51



NOTE

- * Applicable Standard
- 1. Valve Standard & Code : JIS F7373
- 2. Flange Dimension : AS2129 TABLE "E"
- 3. Flange Thickness : JIS B2240
- 4. Inspection & Test : JIS F7400

14	Gasket	PTFE
13	Gasket	NON-ASBESTOS
12	Hexagon nut	SS400
11	Stud	
10	Split pin	C2600 W
9	Washer	C2801 P
8	Hexagon nut	C3604 BE
7	Plug	
6	Hinge pin	C3771 BE
5	Arm	BC6
4	Seat ring	
3	Disc	
2	Bonnet	
1	Body	BC6

NO.	COMPONENT	MATERIAL
△		
△		
△	First Issued	-
No.	ALTERNATION	SEAL

TITLE		BRONZE, SWING CHECK VALVE			
		JIS 10K			
DRAWN.	CHEC.	APPRO.	DATE	2013.02.25	SCALE
H.Y.JUNG	S.H.AHN	H.G.KIM	TYPE	Bolted bonnet	
			DWG. NO.	SCVB-FC-10K-50A-F7373	

DIMENSION [Unit: mm]

SIZE	φd	FLANGE AS2129 TABLE "E"				L	H	φD2	Remark
		φD	φC	n-φh	t				
50A	50	150	114	4-18	16	210	109	130	
65A	65	165	127	4-18	18	240	115	150	
80A	80	185	146	4-18	18	270	136	160	
100A	100	215	178	8-18	18	300	153	215	