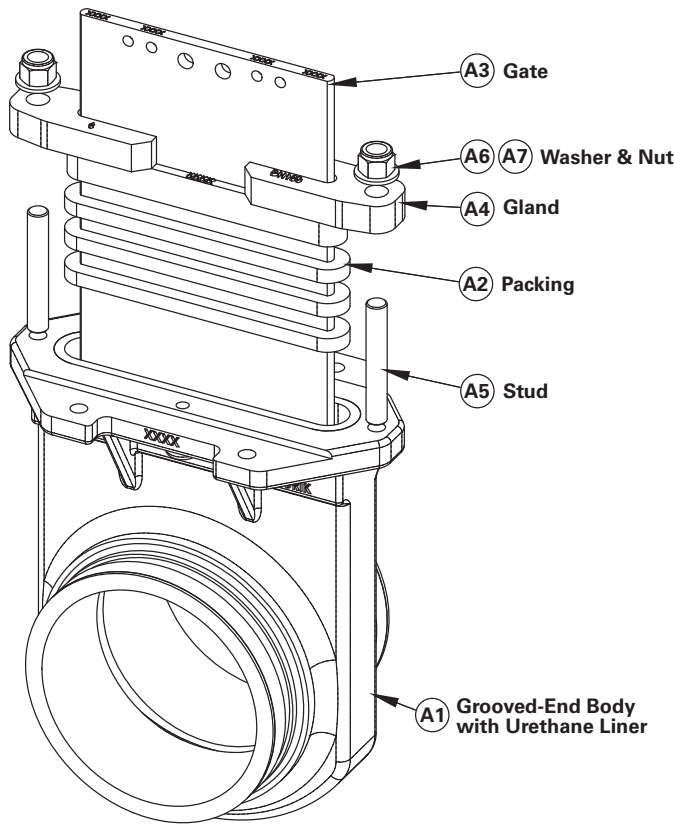
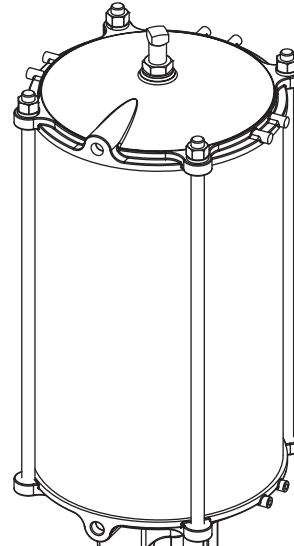
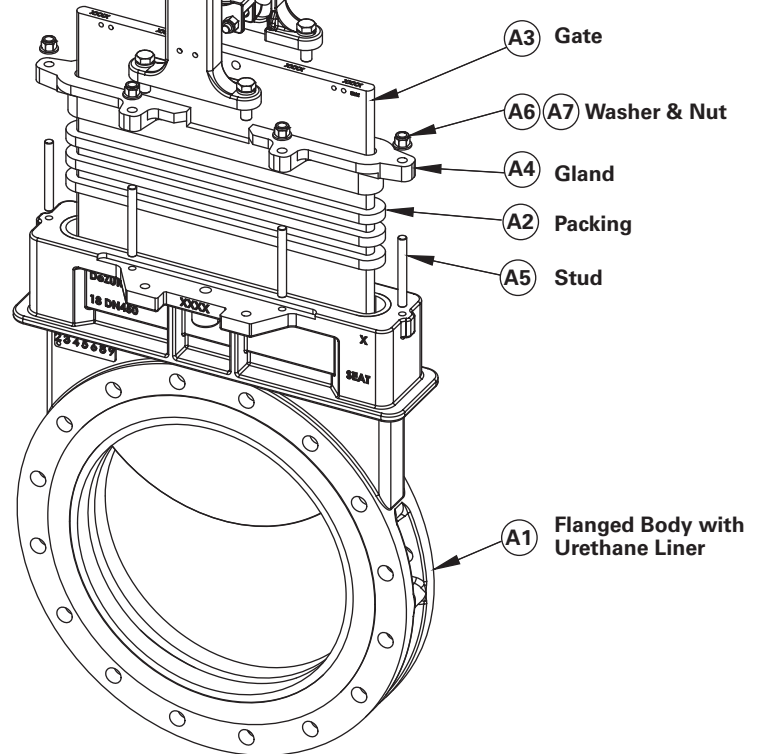


Materials of Construction

Item	Description	Material
A1	Body	Ductile Iron, ASTM A395, Grade 65-45-15 with Urethane Liner
A2	Packing	SMP - PTFE Square Braided Packing to 500°F (260°C) (pH Range 0-14)
		ASP - Self-Adjusting PTFE Braided Packing with Fluoroelastomer Cord to 400°F (204°C) (pH Range 0-14)
		TDP - Dry Service, Dry PTFE Braided Packing with Solid PTFE Cord to 500°F (260°C) (pH Range 0-14)
		FGP - Food Grade Service to 450°F (232°C) (pH Range 3-11)
		NXS - NBR X-Cord with PTFE Square Braided Packing Cord to 250°F (120°C). Check Chemical Compatibility.
A3	Gate	304 Stainless Steel, ASTM A240
		316 Stainless Steel, ASTM A240
		17-4 Stainless Steel H900 Heat Treated, ASTM A564, Type 630 Condition H900
		254-SMO Stainless Steel, ASTM A240 S31254
		410 Stainless Steel, ASTM A240
		2205 Duplex Stainless Steel, ASTM A240 S31803 or S32205
		Hastelloy C, ASTM B575 C276
A4	Gland	316 Stainless Steel, ASTM A351, Type CF-8M
A5	Stud	Stainless Steel 18-8 or 304
A6	Washer	Stainless Steel 18-8 or 304
A7	Nut	Stainless Steel 18-8 or 304 with nylon insert

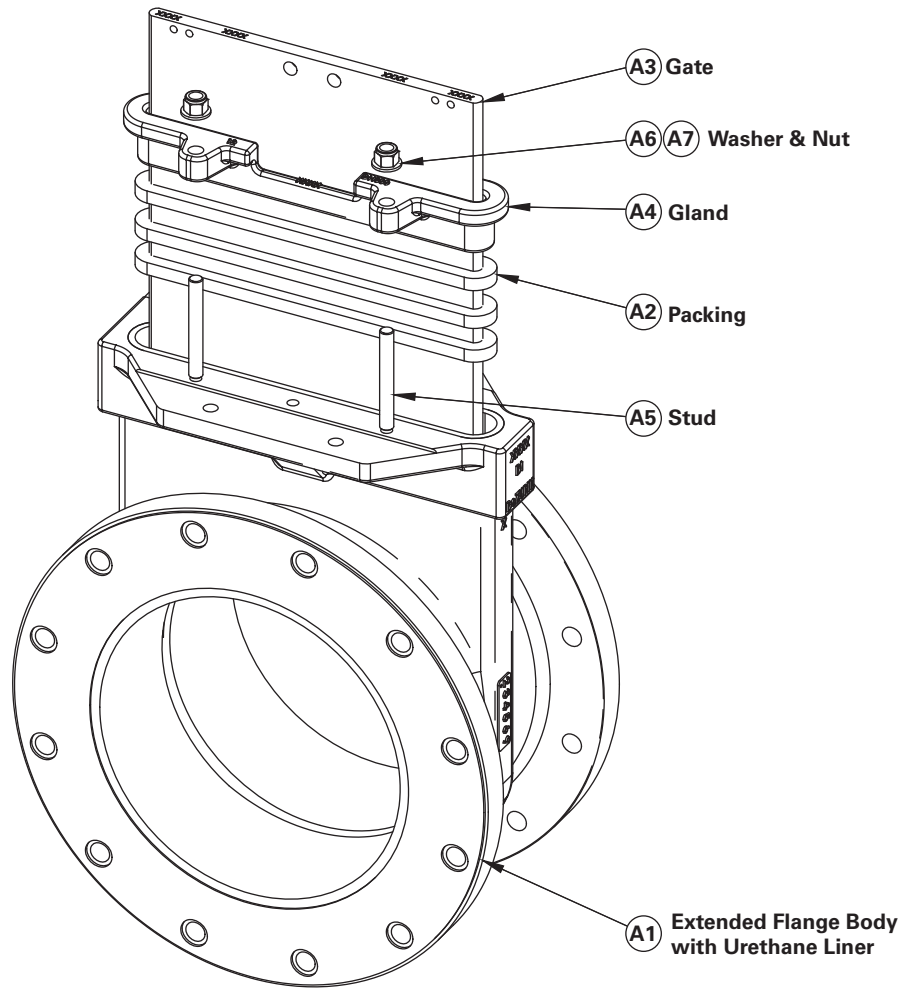


Grooved End Body



Standard Flanged Body

Materials of Construction



Extended Flanged Body

Valve Selection

Seat/Packing Options

Seat Characteristic	Description	Type	Color	Packing Options	Temperature Range
EU	Urethane, General Water Service	Polyether	Black	SMP, ASP, TDP, NXS	-20 to 175°F (-29 to 79°C)
AUCO	Urethane, Oil Service	Polyester	Clear	SMP, ASP, TDP, NXS	0 to 175°F (-18 to 79°C)
EUCW	Urethane, Water Service	Polyether	Clear	SMP, ASP, TDP, NXS	-20 to 210°F (-29 to 99°C)
AUFO	Urethane, Food Grade Oil Service	Polyester	White	FGP	-20 to 175°F (-29 to 79°C)
EUFW	Urethane, Food Grade Water Service	Polyether	White	FGP	-20 to 175°F (-29 to 79°C)
EUHT	Urethane, High Temp Service	Polyether	Red	SMP, ASP, TDP	-20 to 265°F (-29 to 129°C)
BRPA	Urethane, Phosphoric Acid Service	Polybutadiene	Green	SMP, ASP	5 to 200°F (-15 to 93°C)

NOTE: The limiting factor in valve selection is the lowest temperature component.