

# Dimensions

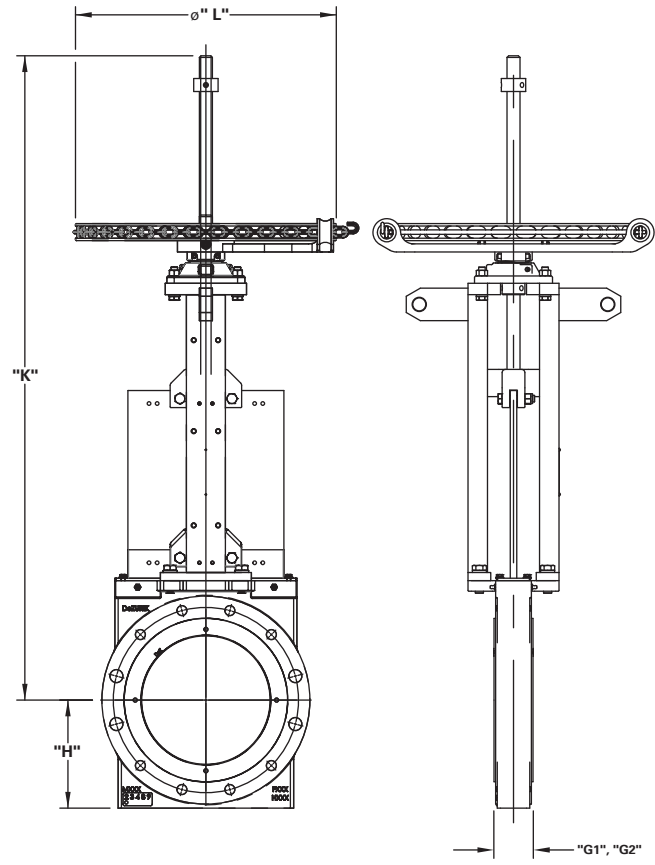
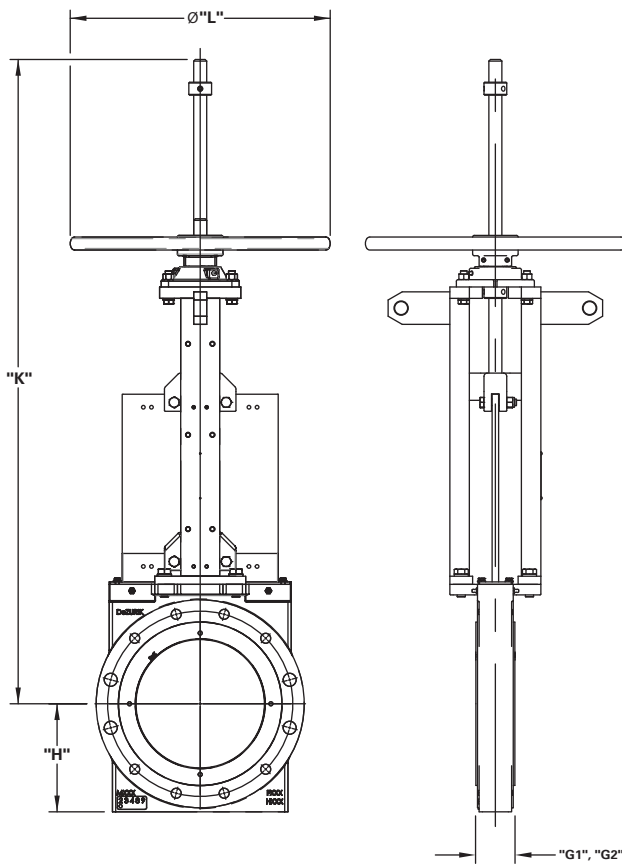
## Handwheel & Chainwheel

Valve Size	Dimensions				
	G1	G2	H	K	L
2"	2.31	2.13	3.44	23.00	12.00
50mm	59	54	87	584	305
3"	2.44	2.25	4.06	24.75	12.00
80mm	62	57	103	629	305
4"	2.44	2.25	4.81	28.38	12.00
100mm	62	57	122	721	305
6"	2.75	2.50	5.81	33.63	20.00
150mm	70	64	148	854	508
8"	3.28	3.00	6.94	41.81	20.00
200mm	83	76	176	1062	508
10"	3.31	3.00	8.31	49.56	20.00
250mm	84	76	211	1259	508

Inches  
Millimeters

Handwheel

Chainwheel



NOTE: "G1" is the minimum dimension required for installation. "G2" is the installed dimension after seat compression. Flange gaskets are not used.

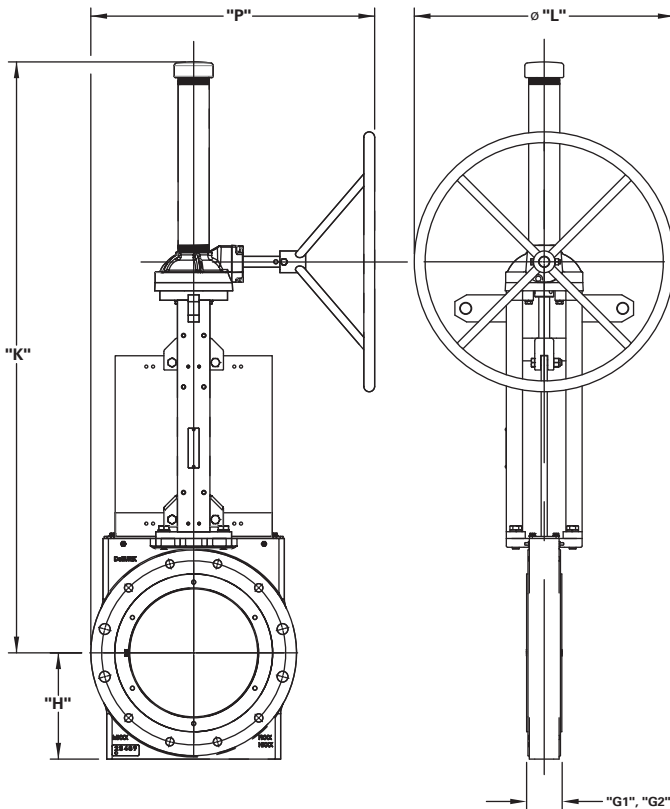
# Dimensions

## Bevel Gear Handwheel and Chainwheel

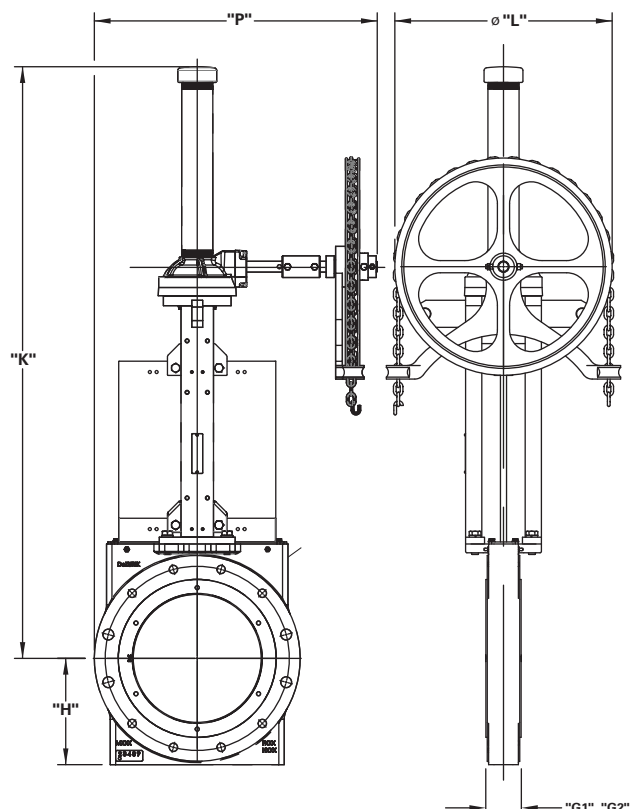
Valve Size	Dimensions							
	G1	G2	H	K	L		P	
					Handwheel	Chainwheel	Handwheel	Chainwheel
2" 50mm	2.31 59	2.13 54	3.44 87	24.88 632	12.00 305	12.00 305	13.63 346	13.12 333
3" 80mm	2.44 62	2.25 57	4.06 103	25.51 648	12.00 305	12.00 305	14.00 356	13.50 343
4" 100mm	2.44 62	2.25 57	4.81 122	32.01 813	12.00 305	12.00 305	14.62 371	14.12 359
6" 150mm	2.75 70	2.50 64	5.81 148	34.82 884	12.00 305	12.00 305	15.62 397	15.12 384
8" 200mm	3.28 83	3.00 76	6.94 176	42.63 1083	12.00 305	12.00 305	16.87 428	23.43 595
10" 250mm	3.31 84	3.00 76	8.31 211	51.63 1311	24.00 610	20.00 508	24.75 629	24.65 626
12" 300mm	3.56 91	3.25 83	9.81 249	55.01 1397	24.00 610	20.00 508	26.25 667	26.15 664
14" 350mm	3.56 91	3.25 83	10.81 275	60.38 1534	24.00 610	20.00 508	27.25 692	27.15 690
16" 400mm	4.13 105	3.75 95	12.00 305	65.70 1669	24.00 610	20.00 508	28.50 724	28.40 721
18" 450mm	4.13 105	3.75 95	12.88 327	73.51 1867	24.00 610	20.00 508	31.98 812	31.91 811
20" 500mm	5.19 132	4.75 121	14.25 362	77.70 1974	24.00 610	20.00 508	33.35 847	33.29 846
24" 600mm	5.19 132	4.75 121	16.38 416	96.45 2450	24.00 610	20.00 508	35.54 903	36.48 927

Inches  
Millimeters

Bevel Gear Handwheel



Bevel Gear Chainwheel



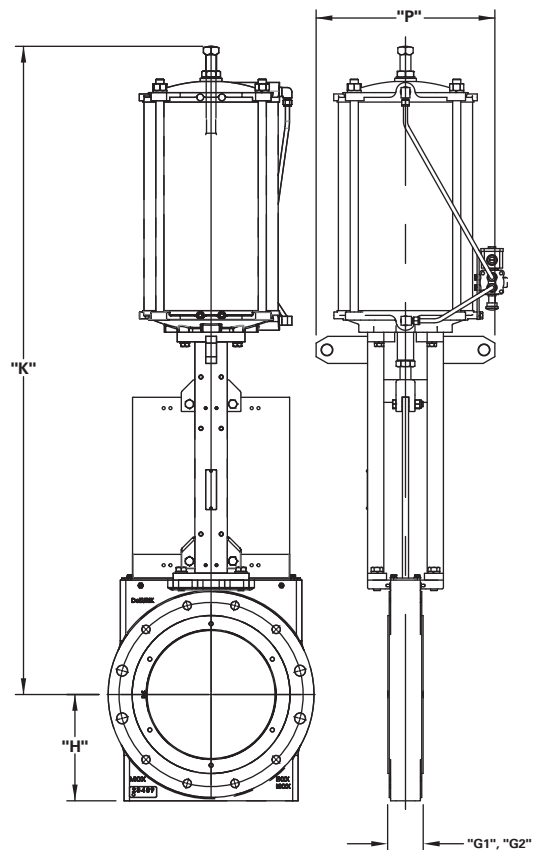
NOTE: "G1" is the minimum dimension required for installation. "G2" is the installed dimension after seat compression. Flange gaskets are not used.

# Dimensions

## Pneumatic Cylinder

Valve Size	Dimensions				
	G1	G2	H	K	P
2"	2.31	2.13	3.44	25.74	6.00
50mm	59	54	87	654	152
3"	2.44	2.25	4.06	27.83	7.00
80mm	62	57	103	707	178
4"	2.44	2.25	4.81	32.08	11.00
100mm	62	57	122	815	279
6"	2.75	2.50	5.81	37.77	11.00
150mm	70	64	148	959	279
8"	3.28	3.00	6.94	47.31	12.00
200mm	83	76	176	1202	305
10"	3.31	3.00	8.31	58.31	16.50
250mm	84	76	211	1481	419
12"	3.56	3.25	9.81	59.84	16.50
300mm	91	83	249	1520	419
14"	3.56	3.25	10.81	69.12	16.50
350mm	91	83	275	1756	419
16"	4.13	3.75	12.00	69.71	17.50
400mm	105	95	305	1771	445
18"	4.13	3.75	12.88	78.40	17.50
450mm	105	95	327	1991	445
20"	5.19	4.75	14.25	80.00	20.25
500mm	132	121	362	2032	514
24"	5.19	4.75	16.38	91.38	20.25
600mm	132	121	416	2321	514

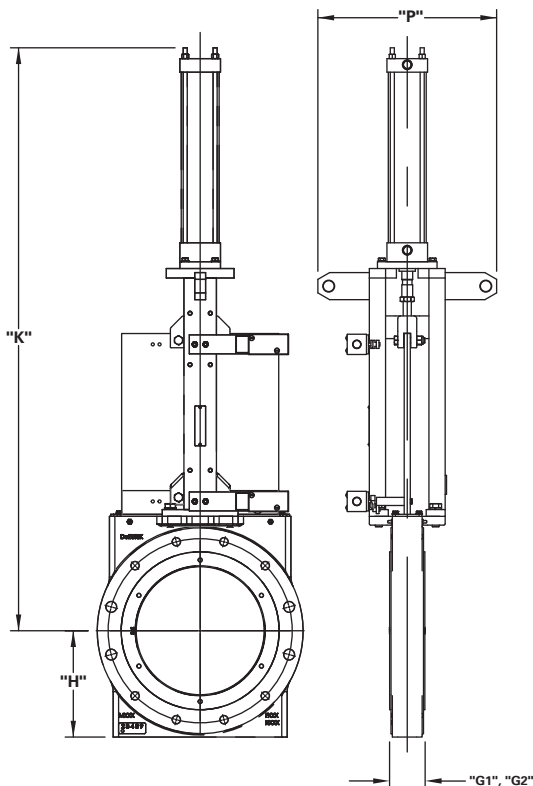
Inches  
Millimeters



## Hydraulic Cylinder

Valve Size	Dimensions				
	G1	G2	H	K	P
2"	2.31	2.13	3.44	23.44	6.00
50mm	59	54	87	595	152
3"	2.44	2.25	4.06	25.19	6.00
80mm	62	57	103	640	152
4"	2.44	2.25	4.81	28.94	11.00
100mm	62	57	122	735	279
6"	2.75	2.50	5.81	33.75	11.00
150mm	70	64	148	857	279
8"	3.28	3.00	6.94	41.85	12.00
200mm	83	76	176	1063	305
10"	3.31	3.00	8.31	50.19	16.50
250mm	84	76	211	1275	419
12"	3.56	3.25	9.81	53.81	16.50
300mm	91	83	249	1367	419
14"	3.56	3.25	10.81	60.44	16.50
350mm	91	83	275	1535	419
16"	4.13	3.75	12.00	64.63	17.50
400mm	105	95	305	1642	445
18"	4.13	3.75	12.88	71.32	17.50
450mm	105	95	327	1812	445
20"	5.19	4.75	14.25	75.51	20.25
500mm	132	121	362	1918	514
24"	5.19	4.75	16.38	89.88	20.25
600mm	132	121	416	2283	514

Inches  
Millimeters



NOTE: "G1" is the minimum dimension required for installation. "G2" is the installed dimension after seat compression. Flange gaskets are not used.



Need Knife Gate Valve pricing or support for your mining project? Contact us for more assistance.

**Perth Branch**

U2/41-45 Furnace Road  
Welshpool WA 6106  
Phone: +61 8 9353 2565  
[sales@thevalvecompany.com.au](mailto:sales@thevalvecompany.com.au)

**Kalgoorlie Branch**

2/69 Craig Road  
West Kalgoorlie WA 6430  
Phone: +61 8 9021 6668  
[sales@thevalvecompany.com.au](mailto:sales@thevalvecompany.com.au)

**Brisbane Branch**

U5/225 Queensport Road  
North Murrarie QLD 4172  
Phone: +61 7 3348 8636  
[sales@thevalvecompany.com.au](mailto:sales@thevalvecompany.com.au)

**Bunbury Branch**

Phone: +61 417 744 791  
[sales@thevalvecompany.com.au](mailto:sales@thevalvecompany.com.au)