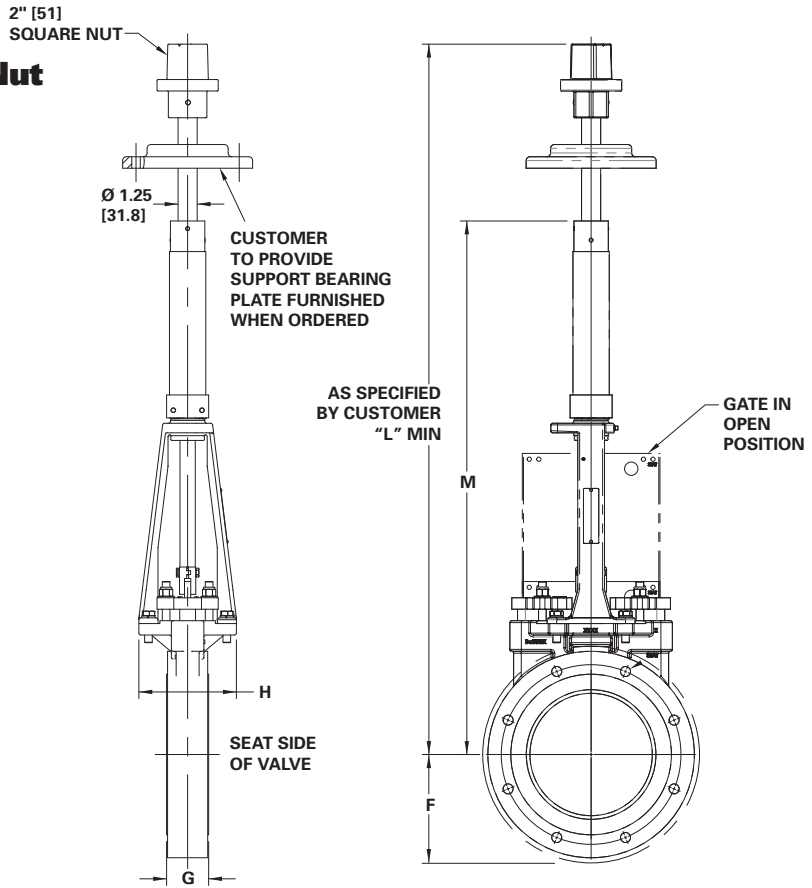


Dimensions

Standard Flanged Valve and Nut

Valve Size	Dimensions				
	F	G	H	L	M
2" 50mm	3.25 83	1.88 48	4.00 102	22.44 570	17.63 448
2.5" 65mm	3.64 92	2.00 51	4.75 121	25.60 650	19.79 503
3" 80mm	3.75 95	2.00 51	4.75 121	25.92 658	20.11 511
4" 100mm	4.50 114	2.00 51	5.00 127	28.20 716	23.39 594
5" 125mm	5.00 127	2.25 57	5.75 146	32.62 829	27.81 706
6" 150mm	5.50 140	2.25 57	5.75 146	34.20 869	29.39 747
8" 200mm	6.75 171	2.75 70	6.38 162	39.70 1008	34.89 886
10" 250mm	8.00 203	2.75 70	8.25 210	46.53 1182	41.72 1060
12" 300mm	9.50 241	3.00 76	8.25 210	52.19 1326	47.38 1203
14" 350mm	10.50 267	3.00 76	8.25 210	63.19 1605	58.38 1483
16" 400mm	11.75 298	3.50 89	8.69 221	70.63 1794	65.82 1672

Inches
Millimeters

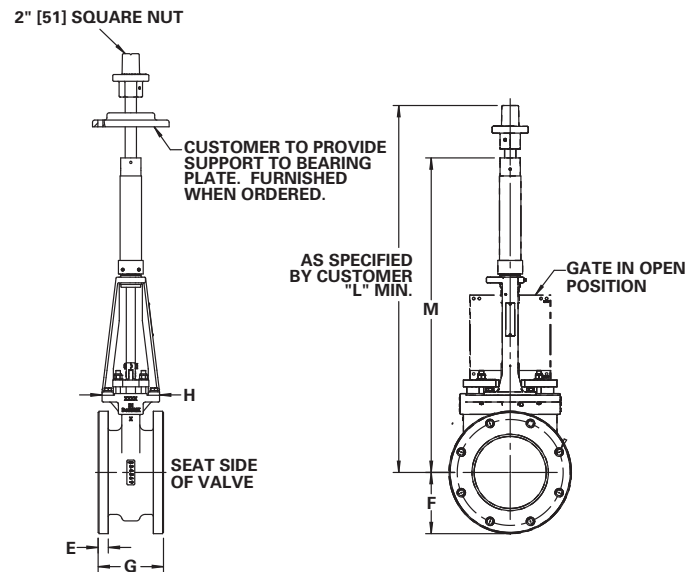


Dimensions

Extended Flange Valve & Extended Nut

Valve Size	Dimensions						
	E	F	G		H	L	M
			EFS	EFL			
2" 50mm	0.75 19	3.25 83	5.88 149	6.88 175	4.00 102	22.44 570	17.63 448
3" 80mm	0.94 24	3.75 95	5.88 149	6.88 175	4.75 121	24.92 633	20.11 511
4" 100mm	0.94 24	4.50 114	5.88 149	6.88 175	5.00 127	28.20 716	23.39 594
5" 125mm	0.94 24	5.00 127	6.00 152	7.00 178	5.75 146	32.62 829	27.81 706
6" 150mm	1.00 25	5.50 140	6.00 152	7.00 178	5.75 146	34.20 869	29.39 747
8" 200mm	1.12 28	6.75 171	6.25 159	7.25 184	6.38 162	39.70 1008	34.89 886
10" 250mm	1.19 30	8.00 203	N/A	8.88 226	8.25 210	46.53 1182	41.72 1060
12" 300mm	1.25 32	9.50 241	N/A	10.13 257	8.25 210	52.19 1326	47.38 1203
14" 350mm	1.38 35	10.50 267	N/A	10.13 257	8.25 210	63.19 1605	58.38 1483
16" 400mm	1.44 37	11.75 298	N/A	11.00 279	8.69 221	70.63 1794	65.82 1672

Inches
Millimeters

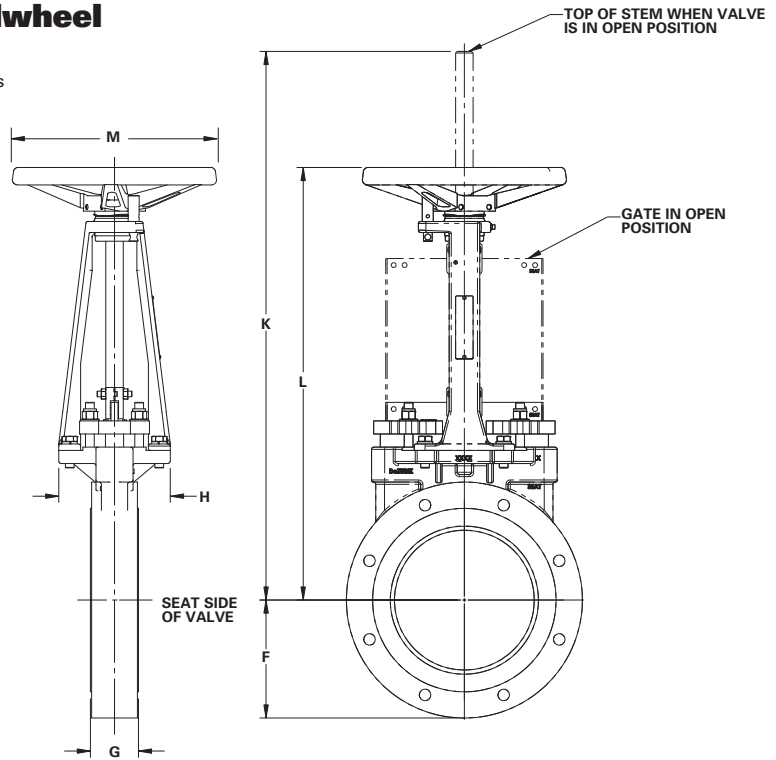


Dimensions

Standard Flanged Valve and Handwheel

Valve Size	Dimensions					
	F	G	H	K	L	M
2" 50mm	3.25 83	1.88 48	4.00 102	14.93 379	13.25 337	8.00 203
2.5" 65mm	3.64 92	2.00 51	4.75 121	16.44 418	14.42 366	8.00 203
3" 80mm	3.75 95	2.00 51	4.75 121	16.62 422	14.74 374	8.00 203
4" 100mm	4.50 114	2.00 51	5.00 127	19.94 506	17.27 439	12.00 305
5" 125mm	5.00 127	2.25 57	5.75 146	24.35 618	19.71 501	12.00 305
	5.00 127	2.25 57	5.75 146	24.35 618	19.58 497	16.00 406
6" 150mm	5.50 140	2.25 57	5.75 146	26.04 661	21.22 539	12.00 305
	5.50 140	2.25 57	5.75 146	26.04 661	21.14 537	16.00 406
8" 200mm	6.75 171	2.75 70	6.38 162	31.54 801	24.63 626	16.00 406
10" 250mm	8.00 203	2.75 70	8.25 210	39.05 992	30.10 765	16.00 406
12" 300mm	9.50 241	3.00 76	8.25 210	44.75 1137	33.79 858	16.00 406
14" 350mm	10.50 267	3.00 76	8.30 211	53.66 1363	36.53 928	20.00 508
16" 400mm	11.75 298	3.50 8	8.70 221	57.23 1454	40.23 1022	20.00 508

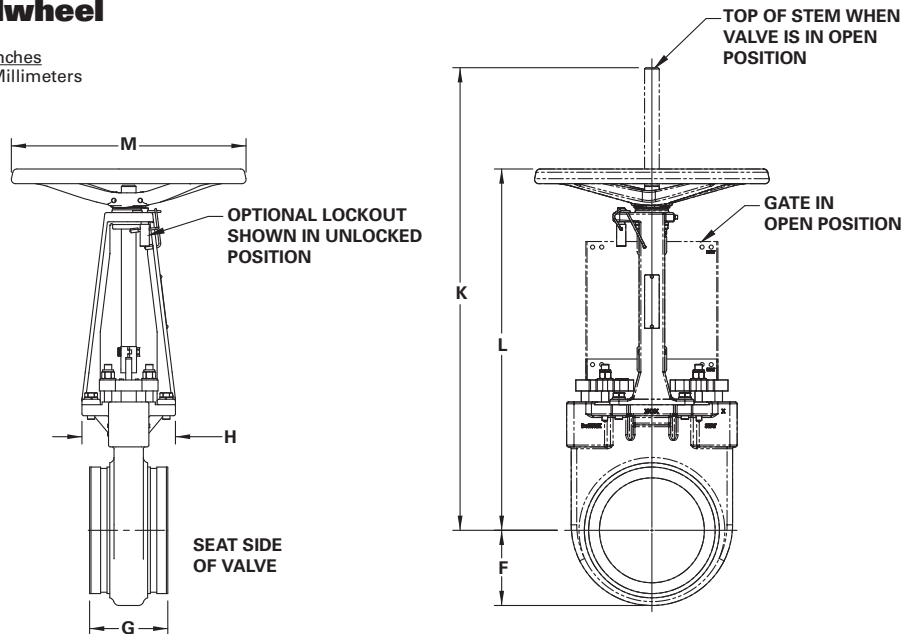
Inches
Millimeters



Grooved End Valve and Handwheel

Valve Size	Dimensions					
	F	G	H	K	L	M
2" 50mm	2.19 56	3.21 82	4.00 102	14.85 377	13.30 338	8.00 203
3" 80mm	3.00 76	3.77 96	4.75 121	16.76 426	14.74 374	8.00 203
4" 100mm	3.19 81	4.63 118	5.00 127	20.04 509	17.27 439	12.00 305
5" 125mm	3.66 93	5.88 149	5.75 146	24.48 622	19.71 501	12.00 305
	3.66 93	5.88 149	5.75 146	24.48 622	19.58 497	16.00 406
6" 150mm	4.38 111	5.88 149	5.75 146	26.04 661	21.22 539	12.00 305
	4.38 111	5.88 149	5.75 146	26.04 661	21.14 537	16.00 406
8" 200mm	5.13 130	5.33 135	6.38 162	31.54 801	24.63 626	16.00 406
10" 250mm	6.54 166	6.40 163	8.25 210	39.25 997	30.10 765	16.00 406
12" 300mm	7.38 187	6.50 165	8.25 210	44.93 1141	33.79 858	16.00 406

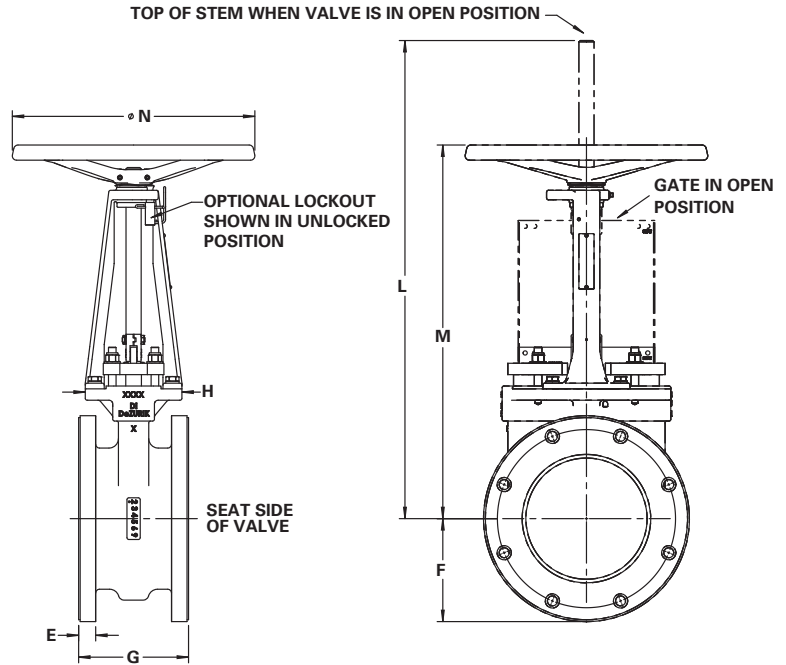
Inches
Millimeters



Dimensions

Extended Flanged Valve & Handwheel

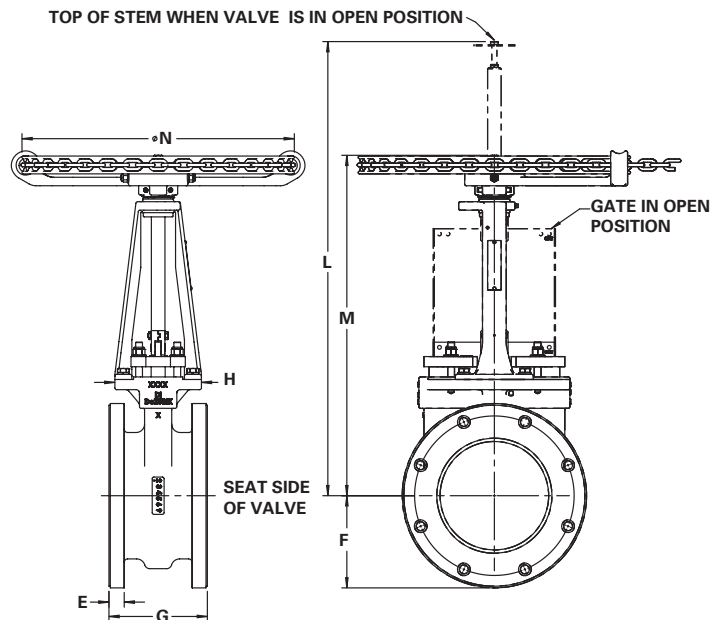
Valve Size	Dimensions							
	E	F	G		H	L	M	N
			EFS	EFL				
2" 50mm	0.75 19	3.25 83	5.88 149	6.88 175	4.00 102	14.93 379	13.25 337	8.00 203
3" 80mm	0.94 24	3.75 95	5.88 149	6.88 175	4.75 121	16.62 422	14.74 374	8.00 203
4" 100mm	0.94 24	4.50 114	5.88 149	6.88 175	5.00 127	19.94 506	17.27 439	12.00 305
5" 125mm	0.94 24	5.00 127	6.00 152	7.00 178	5.75 146	24.35 618	19.71 501	12.00 305
	0.94 24	5.00 127	6.00 152	7.00 178	5.75 146	24.35 618	19.58 497	16.00 406
6" 150mm	1.00 25	5.50 140	6.00 152	7.00 178	5.75 146	26.04 661	21.22 539	12.00 305
	1.00 25	5.50 140	6.00 152	7.00 178	5.75 146	26.04 661	21.14 537	16.00 406
8" 200mm	1.12 28	6.75 171	6.25 159	7.25 184	6.38 162	31.54 801	24.63 626	16.00 406
10" 250mm	1.19 30	8.00 203	N/A	8.88 226	8.25 210	39.05 992	30.10 765	16.00 406
12" 300mm	1.25 32	9.50 241	N/A	10.13 257	8.25 210	44.75 1137	33.79 858	16.00 406



Dimensions

Extended Flanged Valve & Chainwheel

Valve Size	Dimensions							
	E	F	G		H	L	M	N
			EFS	EFL				
2" 50mm	0.75 19	3.25 83	5.88 149	6.88 175	4.00 102	15.94 405	13.83 351	8.00 203
3" 80mm	0.94 24	3.75 95	5.88 149	6.88 175	4.75 121	18.63 473	15.49 393	8.00 203
4" 100mm	0.94 24	4.50 114	5.88 149	6.88 175	5.00 127	21.74 552	17.60 447	12.00 305
5" 125mm	0.94 24	5.00 127	6.00 152	7.00 178	5.75 146	25.17 639	20.03 509	12.00 305
	0.94 24	5.00 127	6.00 152	7.00 178	5.75 146	25.17 639	20.03 509	20.00 508
6" 150mm	1.00 25	5.50 140	6.00 152	7.00 178	5.75 146	27.74 705	21.58 548	20.00 508
	1.12 28	6.75 171	6.25 159	7.25 184	6.38 162	33.31 846	25.07 637	20.00 508
10" 250mm	1.19 30	8.00 203	N/A	8.88 226	8.25 210	40.86 1038	30.57 776	20.00 508
12" 300mm	1.25 32	9.50 241	N/A	10.13 257	8.25 210	46.94 1192	34.58 878	20.00 508

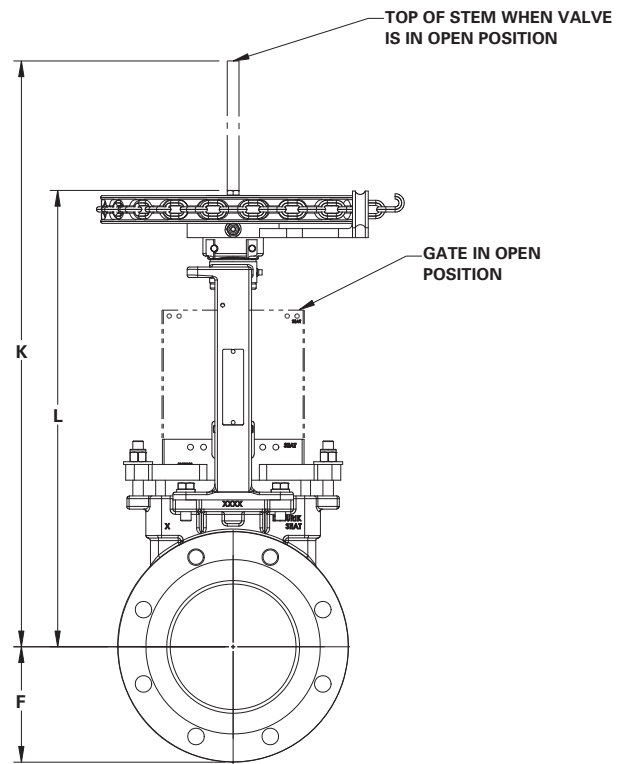
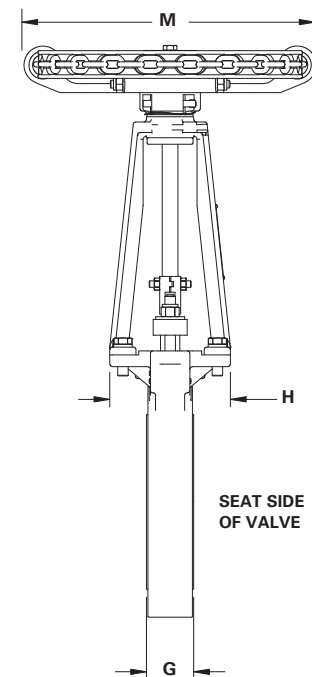


Dimensions

Standard Flanged Valve and Chainwheel

Valve Size	Dimensions					
	F	G	H	K	L	M
2"	3.25	1.88	4.00	15.94	13.83	8.00
50mm	83	48	102	405	351	203
2.5"	3.64	2.00	4.75	18.44	15.72	8.00
65mm	92	51	121	468	399	203
3"	3.75	2.00	4.75	18.63	15.49	8.00
80mm	95	51	121	473	393	203
4"	4.50	2.00	5.00	21.74	17.60	12.00
100mm	114	51	127	552	447	305
5"	5.00	2.25	5.75	25.17	20.03	12.00
	127	57	146	639	509	305
5"	5.00	2.25	5.75	25.17	20.03	20.00
	127	57	146	639	509	508
6"	5.50	2.25	5.75	27.74	21.58	20.00
150mm	140	57	146	705	548	508
8"	6.75	2.75	6.38	33.31	25.07	20.00
200mm	171	70	162	846	637	508
10"	8.00	2.75	8.25	40.86	30.57	20.00
250mm	203	70	210	1038	776	508
12"	9.50	3.00	8.25	46.94	34.58	20.00
300mm	241	76	210	1192	878	508
14"	10.50	3.00	8.25	53.56	41.09	30.00
350mm	267	76	210	1360	1044	762
16"	11.75	3.50	8.69	57.23	42.69	30.00
400mm	298	89	221	1454	1084	762

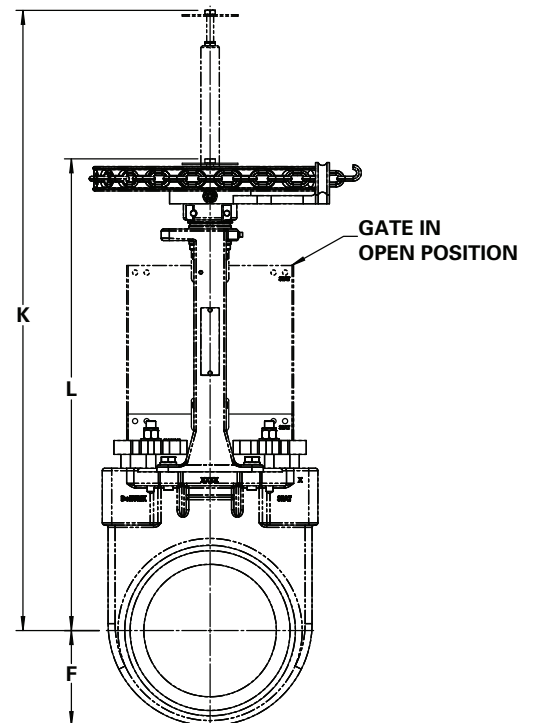
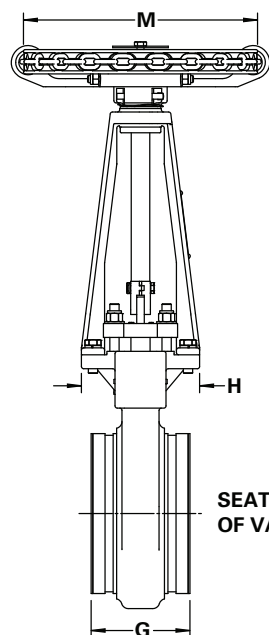
Inches
Millimeters



Grooved End Valve and Chainwheel

Valve Size	Dimensions					
	F	G	H	K	L	M
2"	2.19	3.21	4.00	16.33	13.95	8.00
50mm	56	82	102	415	354	203
3"	3.00	3.77	4.75	18.76	15.63	8.00
80mm	76	96	121	477	397	203
4"	3.19	4.63	5.00	21.98	17.89	12.00
100mm	81	118	127	558	454	305
5"	3.66	5.88	5.75	25.68	20.58	12.00
	93	149	146	652	523	305
5"	3.66	5.88	5.75	25.68	20.58	20.00
	93	149	146	652	523	508
6"	4.38	5.88	5.75	27.92	21.72	20.00
150mm	111	149	146	709	552	508
8"	5.13	5.33	6.38	33.45	25.44	20.00
200mm	130	135	162	850	646	508
10"	6.54	6.40	8.25	41.06	30.93	20.00
250mm	166	163	210	1043	786	508
12"	7.38	6.50	8.25	47.13	34.97	20.00
300mm	187	165	210	1197	888	508

Inches
Millimeters

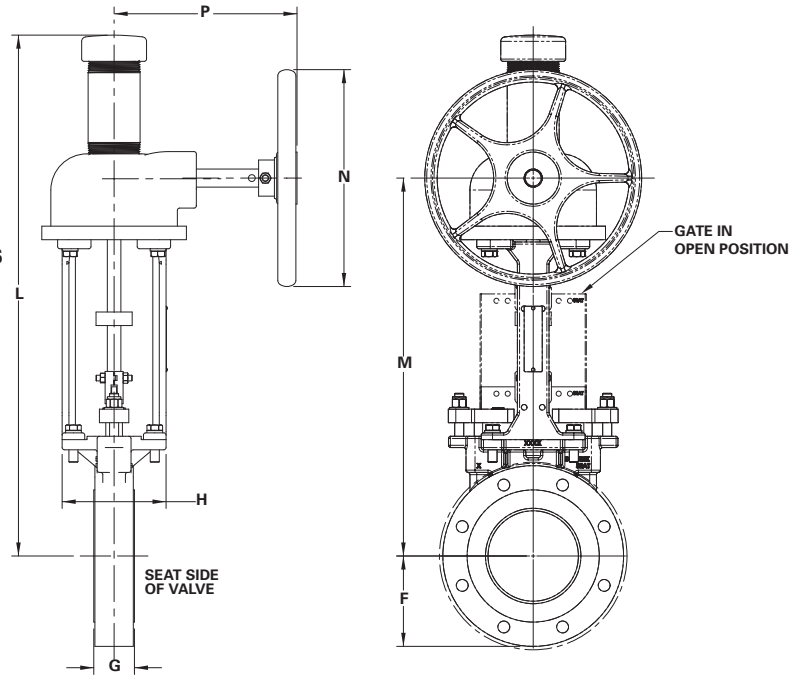


Dimensions

Standard Flanged Valve and Bevel Gear Handwheel 3-8" MU & HP Body Styles

Valve Size	Dimensions						
	F	G	H	L	M	N	P
3" 80mm	3.75 95	2.00 51	4.75 121	22.12 562	16.19 411	12.00 305	10.12 257
4" 100mm	4.50 114	2.00 51	5.00 127	24.38 619	18.47 469	12.00 305	10.12 257
5" 125mm	5.80 147	2.25 57	5.75 146	28.82 732	20.91 531	12.00 305	10.12 257
6" 150mm	5.48 139	2.25 57	5.75 146	30.39 772	22.47 571	12.00 305	10.12 257
8" 200mm	6.75 171	2.75 70	6.38 162	35.89 912	25.97 660	12.00 305	10.12 257

Inches
Millimeters



10" & Larger MU & HP Body Styles

Valve Size	Dimensions				
	F	G	H	L	M
10" 250mm	8.00 203	2.75 70	8.24 209	46.57 1183	31.66 804
12" 300mm	9.50 241	3.00 76	8.25 210	50.26 1277	35.35 898
14" 350mm	10.50 267	3.00 76	8.25 210	56.82 1443	37.91 963
16" 400mm	11.75 298	3.50 89	8.69 221	60.51 1537	41.60 1057
18" 450mm	12.50 318	3.50 89	9.31 236	69.95 1777	47.04 1195
20" 500mm	13.75 349	4.50 114	9.42 239	73.63 1870	50.72 1288
24" 600mm	16.00 406	4.50 114	9.42 239	81.20 2062	61.58 1564
30" 750mm	19.38 492	5.50 140	11.25 286	109.58 2783	76.00 1930
36" 900mm	23.00 584	6.00 152	12.00 305	121.46 3085	87.49 2222
42" 1050mm	26.50 673	6.50 165	13.50 343	150.30 3818	103.51 2629
48" 1200mm	29.75 756	7.00 178	18.50 470	163.64 4156	116.85 2968

Standard Flanged Valve 10" & Larger, MU Body Style

Valve Size	MU Body Style		
	N	P	
		Standard & 180 Mounting	90 & 270 Mounting
10" 250mm	12.00 305	10.12 257	10.12 257
12" 300mm	12.00 305	10.12 257	10.12 257
14" 350mm	12.00 305	10.12 257	24.13 613
16" 400mm	16.00 406	17.62 448	24.13 613
18" 450mm	24.00 610	17.62 448	32.88 835
20" 500mm	24.00 610	17.62 448	32.88 835
24" 600mm	24.00 610	23.75 603	33.75 857
30" 750mm	24.00 610	23.75 603	33.75 857
36" 900mm	24.00 610	23.75 603	32.87 835
42" 1050mm	24.00 610	25.55 649	36.57 929
48" 1200mm	24.00 610	25.55 649	36.57 929

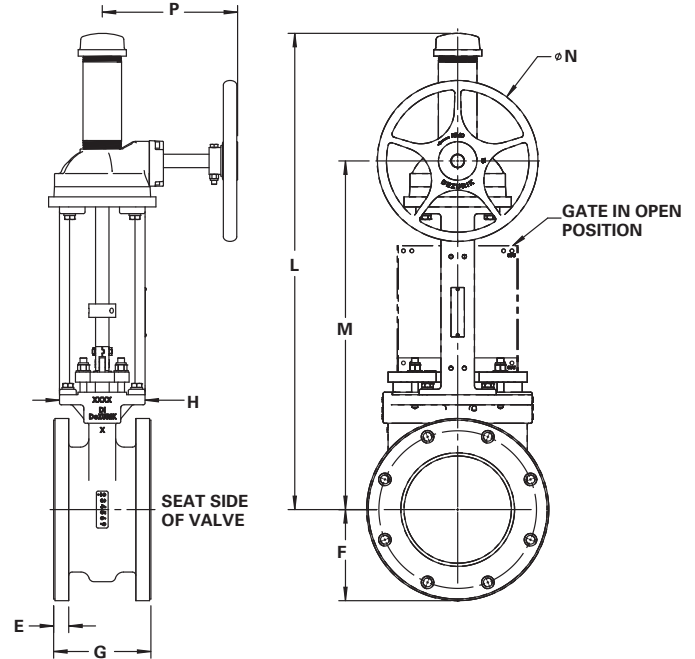
Standard Flanged Valve 10" & Larger, HP Body Style

Valve Size	HP Body Style		
	N	P	
		Standard & 180 Mounting	90 & 270 Mounting
10" 250mm	16.00 406	10.50 267	10.50 267
12" 300mm	16.00 406	10.50 267	10.50 267
14" 350mm	16.00 406	10.50 267	24.15 613
16" 400mm	24.00 610	17.62 448	32.88 835
18" 450mm	30.00 762	9.75 248	24.13 613
20" 500mm	36.00 914	23.15 588	38.40 975
24" 600mm	24.00 610	23.75 603	33.75 857
30" 750mm	24.00 610	26.57 675	36.57 929
36" 900mm	24.00 610	26.57 675	36.57 929
42" 1050mm	30.00 762	17.68 449	28.72 729
48" 1200mm	30.00 762	17.68 449	28.72 729

Dimensions

Extended Flanged Valve & Bevel Gear Handwheel 3-12" Valve Sizes

Valve Size	Dimensions								
	E	F	G		H	L	M	N	P
			EFS	EFL					
3" 80mm	0.94 24	3.75 95	5.88 149	6.88 175	4.75 121	22.12 562	16.19 411	12.00 305	10.12 257
4" 100mm	0.94 24	4.50 114	5.88 149	6.88 175	5.00 127	24.38 619	18.47 469	12.00 305	10.12 257
5" 125mm	0.94 24	5.00 127	6.00 152	7.00 178	5.75 146	28.82 732	20.91 531	12.00 305	10.12 257
6" 150mm	1.00 25	5.50 140	6.00 152	7.00 178	5.75 146	30.39 772	22.47 571	12.00 305	10.12 257
8" 200mm	1.12 28	6.75 171	6.25 159	7.25 184	6.38 162	35.89 912	25.97 660	12.00 305	10.12 257
10" 250mm	1.19 30	8.00 203	N/A	8.88 226	8.25 210	46.57 1183	31.66 804	12.00 305	10.12 257
	1.19 30	8.00 203	N/A	8.88 226	8.25 210	46.57 1183	31.66 804	16.00 406	10.50 267
12" 300mm	1.25 32	9.50 241	N/A	10.13 257	8.25 210	50.26 1277	35.35 898	12.00 305	10.12 257
	1.25 32	9.50 241	N/A	10.13 257	8.25 210	50.26 1277	35.35 898	16.00 406	10.50 267



14" & Larger MU & HP Body Styles

Valve Size	Dimensions			
	E	F	G EFL	H
14" 350mm	1.38 35	10.50 267	10.13 257	8.25 210
16" 400mm	1.44 37	11.75 298	11.00 279	8.69 221
18" 450mm	1.56 40	12.50 318	12.25 311	9.31 236
20" 500mm	1.69 43	13.75 349	14.13 359	9.42 239
24" 600mm	1.87 47	16.00 406	14.63 372	9.42 239
30" 750mm	2.94 75	19.38 492	15.57 395	11.25 286
36" 900mm	3.56 90	23.00 584	18.50 470	12.00 305
42" 1050mm	3.81 97	26.50 673	21.13 537	13.50 343
48" 1200mm	4.25 108	29.75 756	21.13 537	18.50 470

MU Body Styles

Valve Size	Dimensions				
	L	M	N	Std & 180 Mounting	90 & 270 Mounting
14" 350mm	56.82 1443	37.91 963	12.00 305	10.12 257	24.59 625
16" 400mm	60.51 1537	41.60 1057	16.00 406	10.50 267	24.09 612
18" 450mm	69.95 1777	47.04 1195	24.00 610	24.18 614	24.09 612
20" 500mm	73.63 1870	50.72 1288	24.00 610	24.16 614	32.40 823
24" 600mm	83.60 2123	61.58 1564	24.00 610	24.18 614	32.40 823
30" 750mm	109.58 2783	76.00 1930	24.00 610	24.18 614	33.31 846
36" 900mm	121.46 3085	87.49 2222	24.00 610	24.18 614	33.31 846
42" 1050mm	150.30 3818	103.51 2629	24.00 610	27.01 686	36.14 918
48" 1200mm	163.64 4156	116.85 2968	24.00 610	27.01 686	36.14 918

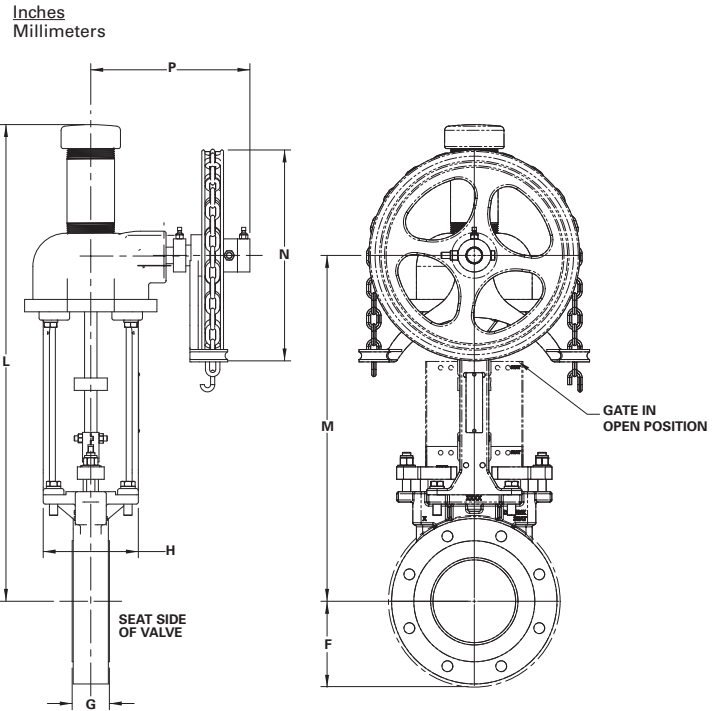
HP Body Style

Valve Size	Dimensions				
	L	M	N	Std & 180 Mounting	90 & 270 Mounting
14" 350mm	56.82 1443	37.91 963	16.00 406	10.50 267	24.09 612
16" 400mm	60.51 1537	41.60 1057	24.00 610	24.18 614	32.40 823
18" 450mm	69.95 1777	47.04 1195	30.00 762	10.46 266	24.09 612
20" 500mm	73.63 1870	50.72 1288	36.00 914	23.87 606	37.50 953
24" 600mm	83.60 2123	61.58 1564	24.00 610	24.18 614	33.31 846
30" 750mm	111.95 2844	77.16 1960	24.00 610	27.01 686	36.14 918
36" 900mm	123.45 3136	88.66 2252	24.00 610	27.01 686	36.14 918
42" 1050mm	150.30 3818	103.51 2629	30.00 762	18.70 475	27.82 707
48" 1200mm	163.64 4156	116.85 2968	30.00 762	18.70 475	27.82 707

Dimensions

Standard Flanged Valve and Bevel Gear Chainwheel 3-8" MU & HP Body Styles

Valve Size	Dimensions							
	F	G	H	L	M	N	P	
							Standard & 180 Mounting	90 & 270 Mounting
3" 80mm	3.75 95	2.00 51	4.75 121	22.12 562	16.19 411	12.75 324	9.62 244	9.62 244
4" 100mm	4.50 114	2.00 51	5.00 127	24.39 620	18.47 469	12.75 324	9.62 244	9.62 244
5" 125mm	5.80 147	2.25 57	5.75 146	28.83 732	20.89 531	12.75 324	9.62 244	9.62 244
6" 150mm	5.48 139	2.25 57	5.75 146	30.41 772	22.47 571	12.75 324	9.62 244	9.62 244
8" 200mm	6.75 171	2.75 70	6.38 162	34.90 886	25.97 660	12.75 324	9.62 244	9.62 244



Flanged Valve 10" & Larger, MU Body Style

Valve Size	Dimensions							
	F	G	H	L	M	N	P	
							Standard & 180 Mounting	90 & 270 Mounting
10" 250mm	8.00 203	2.75 70	8.24 209	46.57 1183	31.66 804	12.00 305	9.62 244	9.62 244
12" 300mm	9.50 241	3.00 76	8.25 210	50.26 1277	35.35 898	12.00 305	9.62 244	9.62 244
14" 350mm	10.50 267	3.00 76	8.25 210	56.82 1443	37.91 963	12.75 324	9.62 244	24.12 613
16" 400mm	11.75 298	3.50 89	8.69 221	60.51 1537	41.60 1057	20.00 508	9.62 244	24.12 613
18" 450mm	12.50 318	3.50 89	9.31 236	69.95 1777	47.04 1195	30.00 762	9.62 244	24.12 613
20" 500mm	13.75 349	4.50 114	9.42 239	73.63 1870	50.72 1288	30.00 762	9.62 244	24.12 613
24" 600mm	16.19 411	4.50 114	9.42 239	81.20 2062	61.58 1564	20.00 508	15.00 381	25.00 635
30" 750mm	19.38 492	5.50 140	11.25 286	109.58 2783	76.00 1930	20.00 508	15.00 381	25.00 635
36" 900mm	23.00 584	6.00 152	12.00 305	121.46 3085	87.49 2222	30.00 762	15.00 381	25.00 635
42" 1050mm	26.50 673	6.50 165	13.50 343	150.30 3818	103.51 2629	30.00 762	17.82 453	27.82 707
48" 1200mm	29.75 756	7.00 178	18.50 470	163.64 4156	116.85 2968	30.00 762	17.82 453	27.82 707

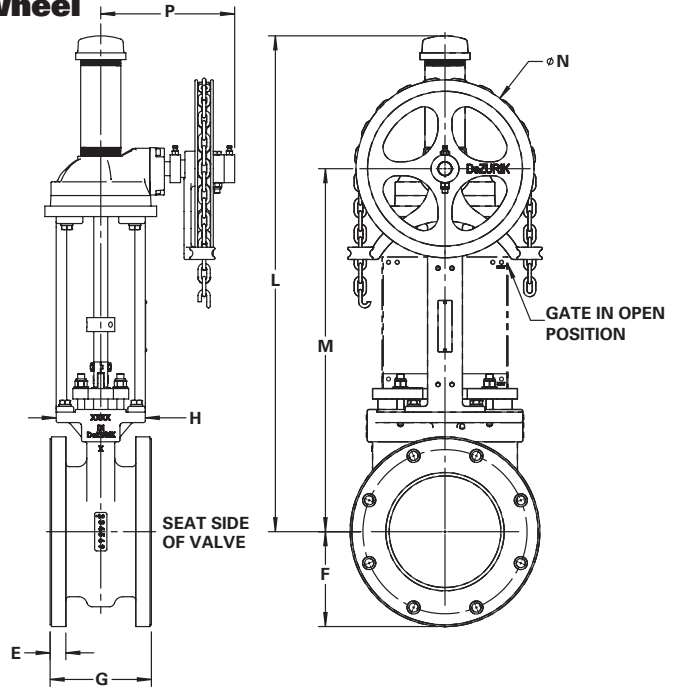
Flanged Valve 10" & Larger, HP Body Style

Valve Size	Dimensions							
	F	G	H	L	M	N	P	
							Standard & 180 Mounting	90 & 270 Mounting
10" 250mm	8.00 203	2.75 70	8.24 209	46.57 1183	31.66 804	20.00 508	9.62 244	9.62 244
12" 300mm	9.50 241	3.00 76	8.25 210	50.26 1277	35.35 898	20.00 508	9.62 244	9.62 244
14" 350mm	10.50 267	3.00 76	8.25 210	56.82 1443	37.91 963	20.00 508	9.62 244	24.12 613
16" 400mm	11.75 298	3.50 89	8.69 221	60.51 1537	41.60 1057	30.00 762	9.62 244	24.12 613
18" 450mm	12.50 318	3.50 89	9.31 236	69.95 1777	47.04 1195	30.00 762	9.62 244	24.12 613
20" 500mm	13.75 349	4.50 114	9.42 239	73.63 1870	53.61 1362	30.00 762	15.00 381	25.00 635
24" 600mm	16.19 411	4.50 114	9.42 239	81.20 2062	61.58 1564	30.00 762	15.00 381	25.00 635
30" 750mm	19.38 492	5.50 140	11.25 286	111.95 2844	77.16 1960	30.00 762	17.82 453	25.00 635
36" 900mm	23.00 584	6.00 152	12.00 305	123.45 3136	88.65 2252	30.00 762	17.82 453	27.82 707
42" 1050mm	26.50 673	6.50 165	13.50 343	150.30 3818	103.51 2629	30.00 762	17.82 453	27.82 707
48" 1200mm	29.75 756	7.00 178	18.50 470	163.64 4156	116.85 2968	30.00 762	17.82 453	27.82 707

Dimensions

Extended Flanged Valve & Bevel Gear Chainwheel 3-12" Valve Sizes

Valve Size	Dimensions								
	E	F	G		H	L	M	N	P
			EFS	EFL					
3" 80mm	0.94 24	3.75 95	5.88 149	6.88 175	4.75 121	22.12 562	16.19 411	12.00 305	9.59 244
4" 100mm	0.94 24	4.50 114	5.88 149	6.88 175	5.00 127	24.38 619	18.47 469	12.00 305	9.59 244
5" 125mm	0.94 24	5.00 127	6.00 152	7.00 178	5.75 146	28.82 732	20.91 531	12.00 305	9.59 244
6" 150mm	1.00 25	5.50 140	6.00 152	7.00 178	5.75 146	30.39 772	22.47 571	12.00 305	9.59 244
8" 200mm	1.12 28	6.75 171	6.25 159	7.25 184	6.38 162	35.89 912	25.97 660	12.00 305	9.59 244
10" 250mm	1.19 30	8.00 203	N/A	8.88 226	8.25 210	46.57 1183	31.66 804	12.00 305	9.59 244
	1.19 30	8.00 203	N/A	8.88 226	8.25 210	46.57 1183	31.66 804	20.00 508	9.59 244
12" 300mm	1.25 32	9.50 241	N/A	10.13 257	8.25 210	50.26 1277	35.35 898	12.00 305	9.59 244
	1.25 32	9.50 241	N/A	10.13 257	8.25 210	50.26 1277	35.35 898	20.00 508	9.59 244



14" & Larger

MU & HP Body Styles

Valve Size	Dimensions			
	E	F	G EFL	H
14" 350mm	1.38 35	10.50 267	10.13 257	8.25 210
16" 400mm	1.44 37	11.75 298	11.00 279	8.69 221
18" 450mm	1.56 40	12.50 318	12.25 311	9.31 236
20" 500mm	1.69 43	13.75 349	14.13 359	9.42 239
24" 600mm	1.87 47	16.00 406	14.63 372	9.42 239
30" 750mm	2.94 75	19.38 492	15.57 395	11.25 286
36" 900mm	3.56 90	23.00 584	18.50 470	12.00 305
42" 1050mm	3.81 97	26.50 673	21.13 537	13.50 343
48" 1200mm	4.25 108	29.75 756	21.13 537	18.50 470

MU Body Styles

Valve Size	Dimensions				
	L	M	N	Std & 180 Mounting	90 & 270 Mounting
14" 350mm	56.86 1444	37.91 963	12.00 305	9.59 244	24.09 612
16" 400mm	60.51 1537	41.60 1057	20.00 508	9.59 244	24.09 612
18" 450mm	69.95 1777	47.04 1195	20.00 508	9.59 244	24.09 612
20" 500mm	73.63 1870	50.72 1288	20.00 508	9.59 244	24.09 612
24" 600mm	83.60 2123	61.58 1564	20.00 508	15.00 381	25.00 635
30" 750mm	109.58 2783	76.00 1930	20.00 508	15.00 381	25.00 635
36" 900mm	121.46 3085	87.49 2222	30.00 762	15.00 381	25.00 635
42" 1050mm	150.30 3818	103.51 2629	30.00 762	17.82 453	27.82 707
48" 1200mm	163.64 4156	116.85 2968	30.00 762	17.82 453	27.82 707

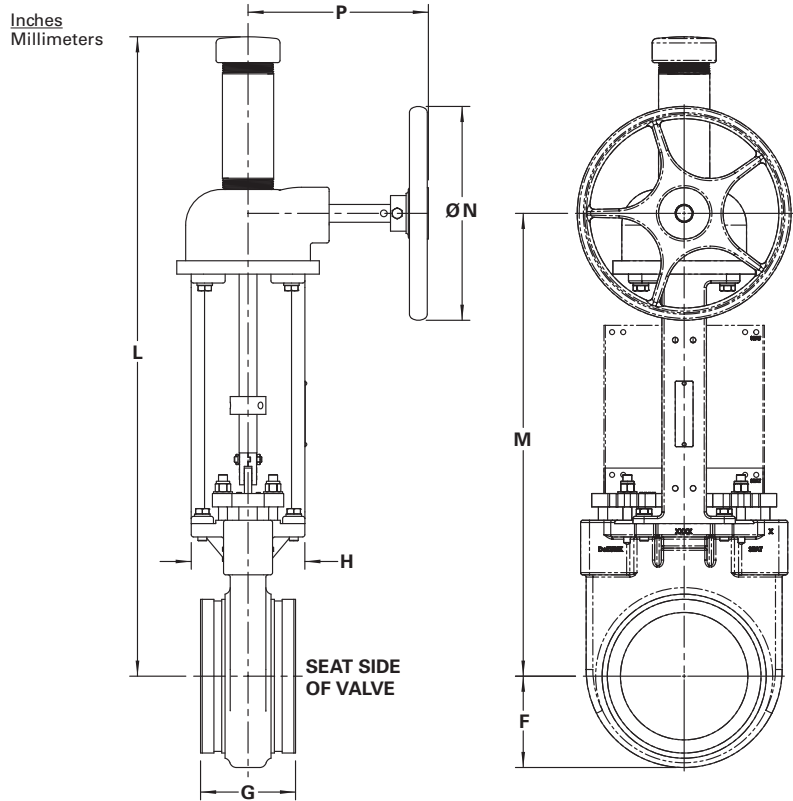
HP Body Style

Valve Size	Dimensions				
	L	M	N	Std & 180 Mounting	90 & 270 Mounting
14" 350mm	56.82 1443	37.91 963	20.00 508	9.59 244	24.09 612
16" 400mm	60.51 1537	41.60 1057	30.00 762	9.59 244	24.09 612
18" 450mm	69.95 1777	47.04 1195	30.00 762	9.59 244	24.09 612
20" 500mm	73.63 1870	50.72 1288	30.00 762	9.59 244	24.09 612
24" 600mm	81.20 2062	61.58 1564	30.00 762	15.00 381	25.00 635
30" 750mm	111.95 2844	77.16 1960	30.00 762	17.82 453	27.82 707
36" 900mm	123.45 3136	88.66 2252	30.00 762	17.82 453	27.82 707
42" 1050mm	150.30 3818	103.51 2629	30.00 762	17.82 453	27.82 707
48" 1200mm	163.64 4156	116.85 2968	30.00 762	17.82 453	27.82 707

Dimensions

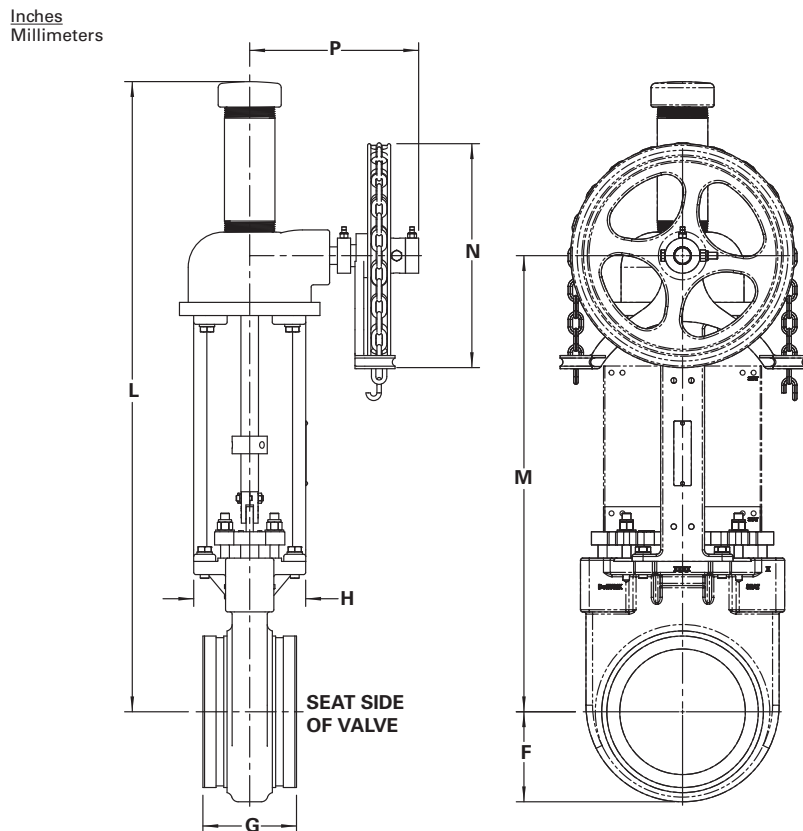
Grooved End Valved and Bevel Gear Handwheel

Valve Size	Dimensions						
	F	G	H	L	M	N	P
3" 80mm	3.00 76	3.77 96	4.75 121	22.06 560	16.19 411	12.00 305	10.12 257
4" 100mm	3.19 81	4.63 118	5.00 127	24.38 619	18.47 469	12.00 305	10.12 257
5" 125mm	3.66 93	5.88 149	5.75 146	28.82 732	20.91 531	12.00 305	10.12 257
6" 150mm	4.38 111	5.88 149	5.75 146	30.38 772	22.47 571	12.00 305	10.12 257
8" 200mm	5.13 130	5.33 135	6.38 162	35.88 911	25.97 660	12.00 305	10.12 257
10" 250mm	6.54 166	6.40 163	8.25 210	46.57 1183	31.66 804	12.00 305	10.12 257
	6.54 166	6.40 163	8.25 210	46.57 1183	31.66 804	16.00 406	10.50 267
12" 300mm	7.38 187	6.50 165	8.25 210	50.26 1277	35.35 898	12.00 305	10.12 257
	7.38 187	6.50 165	8.25 210	50.26 1277	35.35 898	16.00 406	10.50 267



Grooved End Valved and Bevel Gear Chainwheel

Valve Size	Dimensions						
	F	G	H	L	M	N	P
3" 80mm	3.00 76	3.77 96	4.75 121	22.06 560	16.19 411	12.00 305	9.62 244
4" 100mm	3.19 81	4.63 118	5.00 127	24.38 619	18.47 469	12.00 305	9.62 244
5" 125mm	3.66 93	5.88 149	5.75 146	28.82 732	20.91 531	12.00 305	9.62 244
6" 150mm	4.38 111	5.88 149	5.75 146	30.38 772	22.47 571	12.00 305	9.62 244
8" 200mm	5.13 130	5.33 135	6.38 162	35.88 911	25.97 660	12.00 305	9.62 244
10" 250mm	6.54 166	6.40 163	8.25 210	46.57 1183	31.66 804	12.00 305	9.62 244
	6.54 166	6.40 163	8.25 210	46.57 1183	31.66 804	20.00 508	9.62 244
12" 300mm	7.38 187	6.50 165	8.25 210	50.26 1277	35.35 898	12.00 305	9.62 244
	7.38 187	6.50 165	8.25 210	50.26 1277	35.35 898	20.00 508	9.62 244

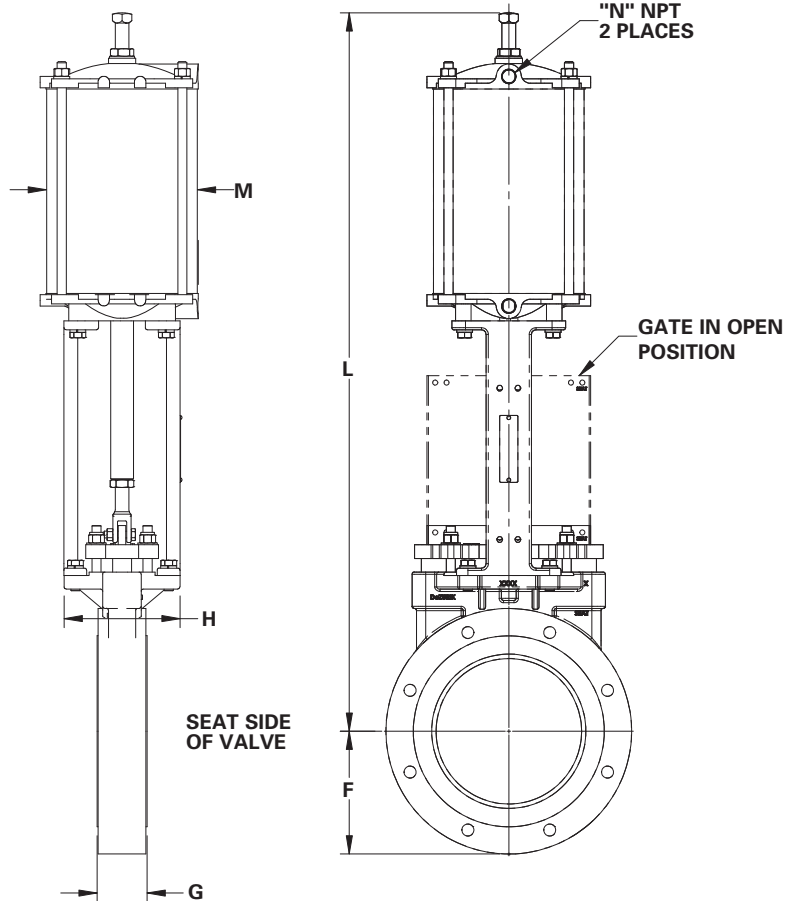


Dimensions

Standard Flanged Valve and Cylinder Actuator

Valve Size	Dimensions		
	F	G	H
2"	3.25	1.88	4.00
50mm	83	48	102
2.5"	3.64	2.00	4.75
65mm	92	51	121
3"	3.75	2.00	4.75
80mm	95	51	121
4"	4.50	2.00	5.00
100mm	114	51	127
5"	5.00	2.25	5.75
125mm	127	57	146
6"	5.50	2.25	5.75
150mm	140	57	146
8"	6.75	2.75	6.38
200mm	171	70	162
10"	8.00	2.75	8.25
250mm	203	70	210
12"	9.50	3.00	8.25
300mm	241	76	210
14"	10.50	3.00	8.25
350mm	267	76	210
16"	11.75	3.50	8.69
400mm	298	89	221
18"	12.50	3.50	9.31
450mm	318	89	237
20"	13.75	4.50	9.42
500mm	349	114	239
24"	16.00	4.50	9.42
600mm	406	114	239

Inches
Millimeters



Cylinder Actuator

Actuator Code	Dimensions														M	N
	L															
	2" 50mm	2.5" 65mm	3" 80mm	4" 100mm	5" 125mm	6" 150mm	8" 200mm	10" 250mm	12" 300mm	14" 350mm	16" 400mm	18" 450mm	20" 500mm	24" 600mm		
CY-PC4	22.18 563	23.53 598	23.84 606	26.12 663	30.47 774	32.09 815	—	—	—	—	—	—	—	—	5.38 137	1/4
CY-PC6	—	—	—	29.45 748	32.13 816	33.48 850	39.25 997	—	—	—	—	—	—	—	7.88 200	1/4
CY-PC8	—	—	—	—	32.50 826	34.13 867	39.63 1007	49.16 1249	53.18 1351	—	—	—	—	—	10.50* 267	1/2
CY-PC10	—	—	—	—	—	—	—	50.66 1287	54.35 1380	60.56 1538	64.25 1632	—	—	—	10.88 276	1/2
CY-PC12	—	—	—	—	—	—	—	50.74 1289	54.55 1386	60.68 1541	64.37 1635	73.81 1875	77.50 1969	89.46 2272	12.94 329	1/2
CY-PC14	—	—	—	—	—	—	—	—	—	—	64.31 1633	74.15 1883	77.84 1977	89.81 2281	15.13 384	1/2
CY-PC16	—	—	—	—	—	—	—	—	—	—	—	70.25 1784	75.94 1929	87.91 2233	17.00 432	1/2
CY-PC18	—	—	—	—	—	—	—	—	—	—	—	—	—	88.28 2242	19.00 483	3/4

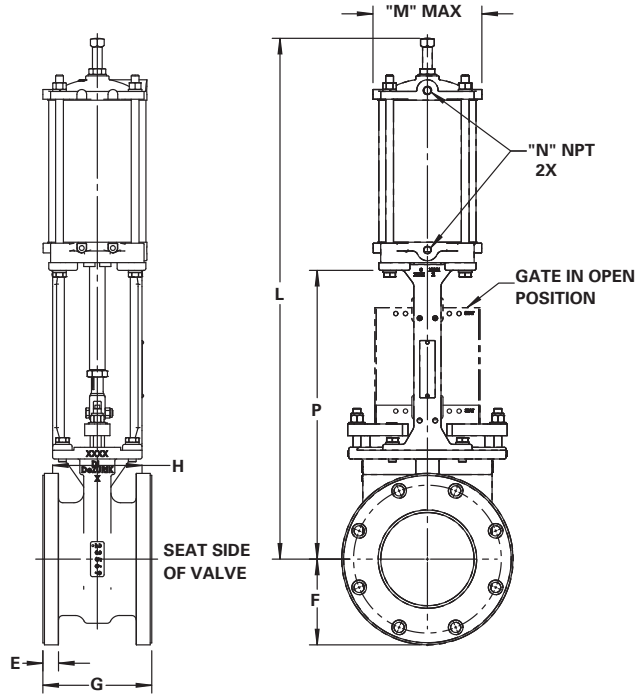
Inches
Millimeters

* M Dimension on 10" & 12" valve sizes is 8.69
271

Dimensions

Extended Flanged Valve & Pneumatic Cylinder Actuator

Valve Size	Dimensions					
	E	F	G		H	P
			EFS	EFL		
2" 50mm	0.75 19	3.25 83	5.88 149	6.88 175	4.00 102	10.80 274
3" 80mm	0.94 24	3.75 95	5.88 149	6.88 175	4.75 121	12.28 312
4" 100mm	0.94 24	4.50 114	5.88 149	6.88 175	5.00 127	14.56 370
5" 125mm	0.94 24	5.00 127	6.00 152	7.00 178	5.75 146	16.94 430
6" 150mm	1.00 25	5.50 140	6.00 152	7.00 178	5.75 146	18.56 471
8" 200mm	1.12 28	6.75 171	6.25 159	7.25 184	6.38 162	22.06 560
10" 250mm	1.19 30	8.00 203	N/A	8.88 226	8.25 210	27.63 702
12" 300mm	1.25 32	9.50 241	N/A	10.13 257	8.25 210	31.13 791
14" 350mm	1.38 35	10.50 267	N/A	10.13 257	8.25 210	33.88 861
16" 400mm	1.44 37	11.75 298	N/A	11.00 279	8.69 221	37.56 954
18" 450mm	1.56 40	12.50 318	N/A	12.25 311	9.13 232	42.94 1091
20" 500mm	1.69 43	13.75 349	N/A	14.13 359	9.19 233	46.63 1184
24" 600mm	1.87 47	16.00 406	N/A	14.63 372	9.19 233	54.59 1387



Pneumatic Cylinder Actuator

2-12" Valve Sizes

Actuator Code	Dimensions									M	N
	L										
	2" 50mm	3" 80mm	4" 100mm	5" 125mm	6" 150mm	8" 200mm	10" 250mm	12" 300mm			
CY-PC4	22.18 563	23.84 606	26.12 663	30.47 774	32.09 815	—	—	—	5.38 137	1/4	
CY-PC6	—	—	29.45 748	32.13 816	33.48 850	39.25 997	—	—	7.88 200	1/4	
CY-PC8	—	—	—	32.50 826	34.13 867	39.63 1007	49.16 1249	53.18 1351	8.69 221	1/2	
CY-PC10	—	—	—	—	—	45.18 1148	50.66 1287	54.35 1380	10.88 276	1/2	
CY-PC12	—	—	—	—	—	—	50.74 1289	54.55 1386	12.94 329	1/2	

Inches
Millimeters

14-24" Valve Sizes

Actuator Code	Dimensions						M	N
	L							
	14" 350mm	16" 400mm	18" 450mm	20" 500mm	24" 600mm			
CY-PC10	60.56 1538	64.25 1632	—	—	—	10.88 276	1/2	
CY-PC12	60.68 1541	64.37 1635	73.81 1875	77.50 1969	89.46 2272	12.94 329	1/2	
CY-PC14	—	64.31 1633	74.15 1883	77.84 1977	89.81 2281	15.13 329	1/2	
CY-PC16	—	—	70.25 1784	75.94 1929	87.91 2233	17.00 432	1/2	
CY-PC18	—	—	—	—	88.28 2242	19.00 483	3/4	

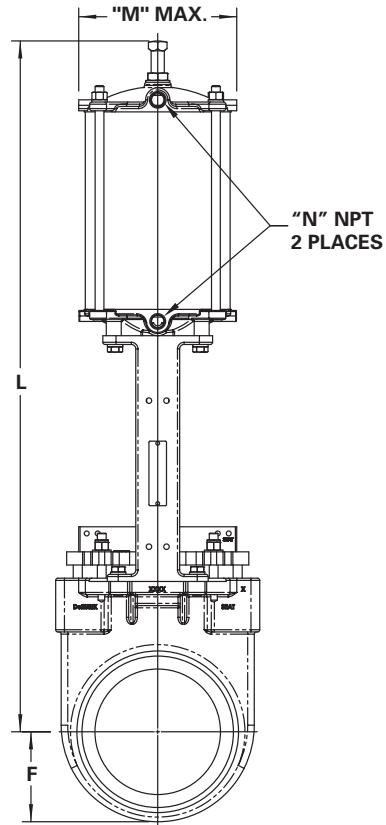
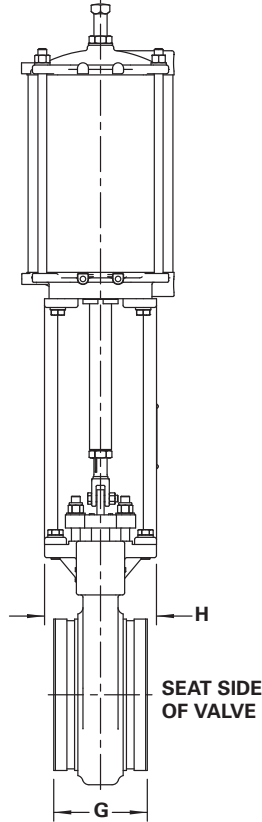
Inches
Millimeters

Dimensions

Grooved End Valve and Cylinder Actuator

Valve Size	Dimensions		
	F	G	H
2"	2.19	3.21	4.00
50mm	56	82	102
3"	3.00	3.77	4.75
80mm	76	96	121
4"	3.19	4.63	5.00
100mm	81	118	127
5"	3.66	5.88	5.75
125mm	93	149	146
6"	4.38	5.88	5.75
150mm	111	149	146
8"	5.13	5.33	6.38
200mm	130	135	162
10"	6.54	6.40	8.25
250mm	166	163	210
12"	7.38	6.50	8.25
300mm	187	165	210

Inches
Millimeters



Cylinder Actuator

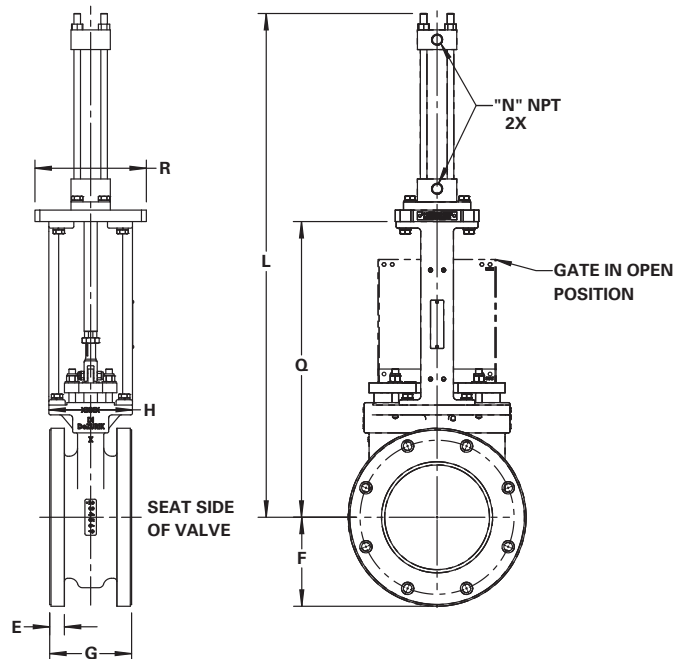
Actuator Code	Dimensions									
	L								M	N
	2"	3"	4"	5"	6"	8"	10"	12"		
50mm	80mm	100mm	125mm	150mm	200mm	250mm	300mm			
CY-PC4	22.57 573	24.00 610	26.29 668	30.72 780	32.28 820	—	—	—	5.00 127	1/4
CY-PC6	—	—	27.55 700	31.99 813	33.62 854	39.01 991	—	—	7.00 178	1/4
CY-PC8	—	—	—	32.23 819	33.85 860	39.35 999	49.23 1250	52.92 1344	9.00 229	1/2
CY-PC10	—	—	—	—	—	40.86 1038	50.67 1287	54.35 1380	11.25 286	1/2
CY-PC12	—	—	—	—	—	—	50.88 1292	54.56 1386	13.25 337	1/2

Inches
Millimeters

Dimensions

Extended Flanged Valve & Hydraulic Cylinder Actuator

Valve Size	Dimensions						
	E	F	G		H	Q	R
			EFS	EFL			
2" 50mm	0.75 19	3.25 83	5.88 149	6.88 175	4.00 102	11.30 287	5.50 140
3" 80mm	0.94 24	3.75 95	5.88 149	6.88 175	4.75 121	12.78 325	8.00 203
4" 100mm	0.94 24	4.50 114	5.88 149	6.88 175	5.00 127	15.06 383	8.25 210
5" 125mm	0.94 24	5.00 127	6.00 152	7.00 178	5.75 146	17.50 445	8.25 210
6" 150mm	1.00 25	5.50 140	6.00 152	7.00 178	5.75 146	19.06 484	8.25 210
8" 200mm	1.12 28	6.75 171	6.25 159	7.25 184	6.38 162	22.56 573	8.50 216
10" 250mm	1.19 30	8.00 203	N/A	8.88 226	8.25 210	28.25 718	9.00 229
12" 300mm	1.25 32	9.50 241	N/A	10.13 257	8.25 210	31.94 811	9.00 229
14" 350mm	1.38 35	10.50 267	N/A	10.13 257	8.25 210	34.50 876	9.00 229
16" 400mm	1.44 37	11.75 298	N/A	11.00 279	8.69 221	38.19 970	9.00 229
18" 450mm	1.56 40	12.50 318	N/A	12.25 311	9.13 232	43.63 1108	9.75 248
20" 500mm	1.69 43	13.75 349	N/A	14.13 359	9.19 233	47.31 1202	9.75 248
24" 600mm	1.87 47	16.00 406	N/A	14.63 372	9.19 233	55.28 1404	10.00 254



Hydraulic Cylinder Actuator 2-12" Valve Sizes

Actuator Code	Dimensions								N
	L								
	2" 50mm	3" 80mm	4" 100mm	5" 125mm	6" 150mm	8" 200mm	10" 250mm	12" 300mm	
CY-HC1.5	20.27 515	22.78 579	—	—	—	—	—	—	1/2
CY-HC2	—	—	26.69 678	30.13 765	32.71 831	38.44 976	46.28 1176	52.03 1322	1/2
CY-HC2.5	—	—	—	—	—	38.56 979	—	52.16 1325	1/2
CY-HC3.25	—	—	—	—	—	—	47.53 1207	53.29 1354	3/4

Inches
Millimeters



Need Knife Gate Valve pricing or support for your mining project? Contact us for more assistance.

Perth Branch
U2/41-45 Furnace Road
Welshpool WA 6106
Phone: +61 8 9353 2565
sales@thevalvecompany.com.au

Kalgoorlie Branch
2/69 Craig Road
West Kalgoorlie WA 6430
Phone: +61 8 9021 6668
sales@thevalvecompany.com.au

Brisbane Branch
U5/225 Queensport Road
North Murrarie QLD 4172
Phone: +61 7 3348 8636
sales@thevalvecompany.com.au

Bunbury Branch
Phone: +61 417 744 791
sales@thevalvecompany.com.au