

DeZURIK KGN-MSU METAL SEATED CAST STAINLESS STEEL KNIFE GATE VALVES

Applications

DeZURIK KGN-MSU metal seated unidirectional Cast Stainless Steel Knife Gate Valves are designed for applications in corrosive, abrasive liquid slurry or dry material applications including: Pulp and Paper, Mining, Waste Water, Chemical, Petrochemical, Power, Steel, and others.

Design and Construction

Sizes - KGN-MSU Knife Gate Valves are available in sizes 2-36" (50-900 mm).

Working Pressure – Valve sizes 2-24" (50-600mm) are rated for 150 psi (1000 kPa), valve sizes 30" (750mm) and larger are rated for 100 psi (690 kPa).

Body & Gland - The cast one piece lugged body and the packing gland are available in stainless steel.

Gate - The stainless steel knife-like gate is precision ground on all sides with beveled edges to maximize packing life and seat shutoff.

Seat - The integral metal seat provides shutoff that meets MSS SP-81 standards.

Gate Guides - Rugged gate guides provide support while gate moves up and down.

Gate Jams - The jams at the bottom of the body wedges the gate securely against the seat to assure positive shutoff.

Actuators - The actuator superstructures are heavy duty carbon steel or corrosion resistant stainless steel. All valves are furnished with a stainless steel stem. A variety of actuator options are available including: handwheels, chainwheels, bevel gears, and pneumatic cylinders.



Flow Capacity

Round port design per MSS SP-81 requirements allows high flow capacity and minimum pressure drop. A stepped transition port eliminates the cavity, where material can accumulate.

End Connections

Raised face body has drilled and tapped flanges in accordance with ASME B16.5, 2-24" (50-600mm) or ASME 16.47, 30" (750mm) and larger.

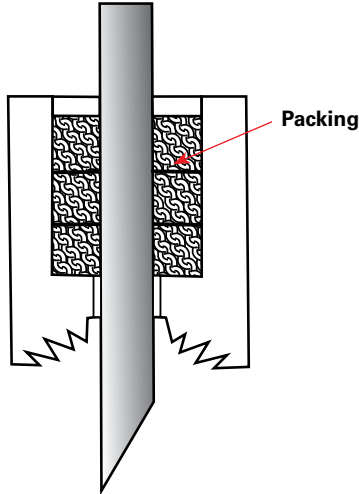
Application Factors That Affect Your Packing Selection For Optimal Sealing

Compatibility with process media:

- Wet or dry application
- Life cycle stroke frequency
- Temperature
- pH Acid-Base level
- Scaling or crystallization on gate

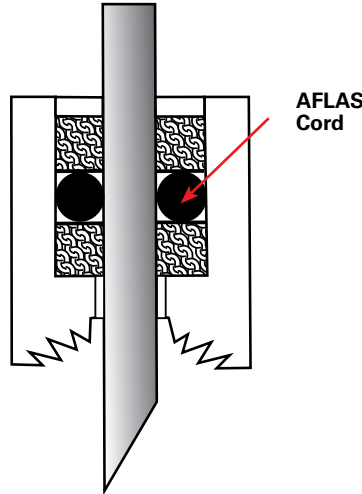


Packing Material Options



MSP

Square Braided PTFE Impregnated Synthetic Fiber to 500°F (260°C)
pH Range: 4-10

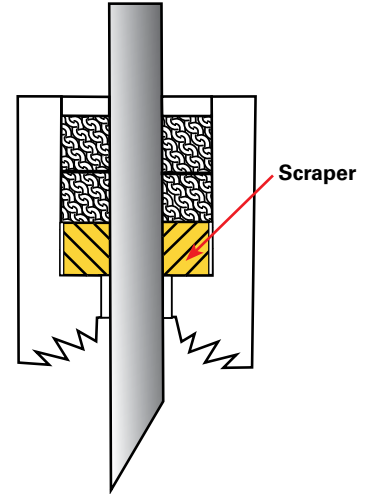


TDP

Dry Service Square Braided PTFE Packing with Solid PTFE Cord to 500°F (260°C)
pH Range: 0-14

***M03055**

PTFE Square Braided Packing with AFLAS® Fluoroelastomer Cord to 400°F (205°C)
(pH Range: 0-14)



CWP

Square Braided PTFE Packing with One Ring Copper Wire Braided Scraper to 500°F (260°C)
pH Range: 4-10

HBP

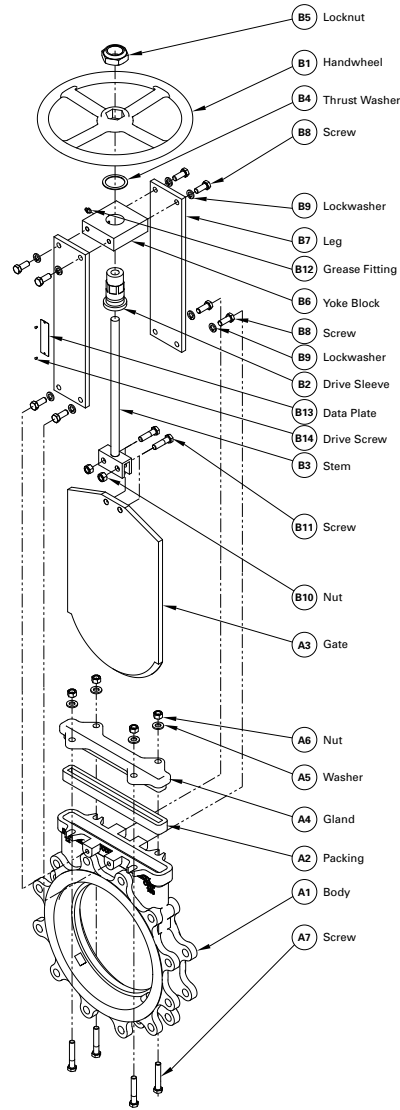
High Temperature Square Braided Packing to 1000°F (540°C)
pH Range: 4-10

KWP

Square Braided PTFE Packing with One Ring Kevlar® (para-aramid) Fiber Scraper to 500°F (260°C)
pH Range: 4-10

Materials of Construction

| Item | Description | Material |
|------|----------------|--|
| A1 | Body | 304 Stainless Steel ASTM A351 CF8 |
| | | 316 Stainless Steel ASTM A351 CF8M |
| A2 | Packing | MSP - Square Braided PTFE Impregnated Synthetic Fiber to 500°F (260°C) (pH Range 4-10) |
| | | CWP - Square Braided PTFE Impregnated Synthetic Fiber with One Ring Copper Wire Braided Scraper to 500°F (260°C) (pH Range 4-10) |
| | | TDP - Dry Service Square Braided PTFE Packing with Solid PTFE Cord to 500°F (260°C) (pH Range 0-14) |
| | | HBP - High Temperature Braided Packing to 1000°F (540°C) (pH Range 4-10) |
| | | KWP - Square Braided PTFE Packing with One Ring Kevlar® (para-aramid) Fiber Scraper to 500°F (260°C) (pH Range 4-10) |
| | | M03055 - PTFE Square Braided Packing with AFLAS® Fluoroelastomer Cord to 400°F (205°C) (pH Range 0-14) |
| A3 | Gate | 304 Stainless Steel ASTM A240 |
| | | 316 Stainless Steel ASTM A240 |
| A4 | Gland | 304 Stainless Steel ASTM A351 CF8 |
| | | 316 Stainless Steel ASTM A351 CF8M |
| A5 | Washer | 304 Stainless Steel |
| A6 | Gland Nut | 304 Stainless Steel |
| A7 | Gland Screw | 304 Stainless Steel |
| B1 | Handwheel | Painted Cast Iron |
| B2 | Drive Sleeve | Brass |
| B3 | Stem | 410 Stainless Steel |
| B4 | Thrust Washer | Brass |
| B5 | Locknut | Zinc Plated Carbon Steel |
| B6 | Yoke Block | Painted Carbon Steel or 304 Stainless Steel |
| B7 | Leg | Painted Carbon Steel or 304 Stainless Steel |
| B8 | Yoke Screw | 304 Stainless Steel |
| B9 | Lock Washer | 304 Stainless Steel |
| B10 | Gate Nut | 304 Stainless Steel |
| B11 | Gate Screw | 304 Stainless Steel |
| B12 | Grease Fitting | Brass |
| B13 | Data Plate | 316 Stainless Steel |
| B14 | Drive Screw | Stainless Steel |



Valve Selection

Shut-Off Capabilities

Metal Seats | Meet MSS SP-81 and TAPPI TIS 405-8

Pressure Ratings

| | |
|-------------------|---------------------------|
| 2-24" (50-600mm) | 150 psi C.W.P. (1030 kPa) |
| Above 24" (600mm) | 100 psi C.W.P. (690 kPa) |

Applicable Standards

| DeZURIK KGN Knife Gate Valves are designed and/or tested to meet the following standards: | |
|---|--|
| MSS SP-81 | Metal Seated Valves, Stainless Steel Bonnetless Flanged Knife Gate Valves. |
| TAPPI TIS 405-8* | Recommendations for Stainless Steel Bonnetless Flanged Wafer Knife Gate Valves. * Revoked by TAPPI Same as MSS SP-81. |
| ASME B16.5 2-24" (50-600mm) | Flanges and Flanged Fittings ASME 150. Conforms to related drilling dimensions. |
| ASME 16.47 Above 24" (600mm) | Large diameter Steel Flanges. Series A. Conforms to related dimensions. |

Flow Parameters

| Valve Size | Cv* Kv 100% Open | Port Area (in ² /cm ²) |
|------------|------------------------|--|
| 2" | 232 | 3.04 |
| 50mm | 201 | 19.6 |
| 3" | 505 | 6.31 |
| 80mm | 437 | 40.7 |
| 4" | 890 | 10.76 |
| 100mm | 770 | 69.4 |
| 6" | 2050 | 24.2 |
| 150mm | 1773 | 156.1 |
| 8" | 3695 | 41.66 |
| 200mm | 3196 | 268.8 |
| 10" | 5935 | 65.53 |
| 250mm | 5134 | 422.8 |
| 12" | 8545 | 92.73 |
| 300mm | 7391 | 598.3 |
| 14" | 10505 | 111.76 |
| 350mm | 9087 | 721 |
| 16" | 14030 | 147.93 |
| 400mm | 12136 | 954.4 |
| 18" | 17900 | 189.94 |
| 450mm | 15484 | 1225.4 |
| 20" | 22730 | 235.69 |
| 500mm | 19661 | 1520.6 |
| 24" | 33280 | 344.55 |
| 600mm | 28787 | 2222.9 |
| 30" | 64900 | 648.72 |
| 750mm | 56139 | 4185.3 |
| 36" | 95400 | 934.82 |
| 900mm | 82521 | 6031.1 |

*Cv = Flow in GPM of water at 1 psi pressure drop.
Kv = Flow in m³/hr. of water at 100kPa pressure drop.

Valve Selection

Valve and Actuator Weights

| Valve Size | Basic Valve | With Handwheel | With Bevel Gear & Handwheel | With Cylinder | | |
|--------------|-------------|----------------|-----------------------------|---------------|------|-----|
| | | | | Size | lbs. | Kg. |
| 2" 50mm | 7 3 | 15 7 | N/A | 4" (100mm) | 22 | 10 |
| 3" 80mm | 11 5 | 22 10 | N/A | 4" (100mm) | 26 | 12 |
| 4" 100mm | 16 7 | 28 13 | N/A | 4" (100mm) | 32 | 15 |
| | | | | 6" (150mm) | 47 | 22 |
| 6" 150mm | 28 13 | 44 20 | N/A | 4" (100mm) | 53 | 24 |
| | | | | 6" (150mm) | 68 | 31 |
| | | | | 8" (200mm) | 77 | 35 |
| 8" 200mm | 45 20 | 72 33 | N/A | 6" (150mm) | 88 | 40 |
| | | | | 8" (200mm) | 98 | 44 |
| 10" 250mm | 69 31 | 102 46 | 141 64 | 8" (200mm) | 134 | 61 |
| | | | | 10" (250mm) | 168 | 76 |
| | | | | 12" (300mm) | 198 | 90 |
| 12" 300mm | 99 45 | 143 65 | 178 81 | 8" (200mm) | 170 | 77 |
| | | | | 10" (250mm) | 204 | 92 |
| | | | | 12" (300mm) | 234 | 106 |
| 14" 350mm | 127 58 | 183 83 | 216 98 | 10" (250mm) | 238 | 108 |
| | | | | 12" (300mm) | 270 | 122 |

Note:
Weights are approximate and do not include crating.

Pounds
Kilograms

| Valve Size | Basic Valve | With Handwheel | With Bevel Gear & Handwheel | With Cylinder | | |
|--------------|-------------|----------------|-----------------------------|---------------|------|-----|
| | | | | Size | lbs. | Kg. |
| 16" 400mm | 174 79 | 252 114 | 277 126 | 10" (250mm) | 301 | 136 |
| | | | | 12" (300mm) | 332 | 150 |
| | | | | 14" (350mm) | 361 | 164 |
| 18" 450mm | 227 103 | 328 149 | 336 152 | 12" (300mm) | 397 | 180 |
| | | | | 14" (350mm) | 427 | 194 |
| | | | | 16" (400mm) | 695 | 315 |
| 20" 500mm | 319 145 | 439 199 | 446 202 | 12" (300mm) | 499 | 226 |
| | | | | 14" (350mm) | 529 | 240 |
| | | | | 16" (400mm) | 809 | 367 |
| 24" 600mm | 473 215 | 607 275 | 611 277 | 12" (300mm) | 670 | 304 |
| | | | | 14" (350mm) | 701 | 318 |
| | | | | 16" (400mm) | 997 | 452 |
| | | | | 18" (450mm) | 1090 | 494 |
| 30" 750mm | 600 272 | N/A | 798 362 | 12" (300mm) | 1023 | 464 |
| | | | | 14" (350mm) | 1055 | 479 |
| | | | | 16" (400mm) | 1167 | 529 |
| | | | | 18" (450mm) | 1265 | 574 |
| 36" 900mm | 785 356 | N/A | 1013 459 | 20" (500mm) | 1376 | 624 |
| | | | | 14" (350mm) | 1277 | 579 |
| | | | | 16" (400mm) | 1396 | 633 |
| | | | | 18" (450mm) | 1499 | 680 |
| | | | | 20" (500mm) | 1613 | 732 |

Ordering

To order simply complete the valve order code from information shown. An ordering example is shown for your reference.

Valve Style

Give valve style code as follows:

KGN = Cast Stainless Steel Knife Gate Valves

Valve Size

Give valve size code as follows:

| | |
|------------------|------------------|
| 2 = 2" (50mm) | 14 = 14" (350mm) |
| 3 = 3" (80mm) | 16 = 16" (400mm) |
| 4 = 4" (100mm) | 18 = 18" (450mm) |
| 6 = 6" (150mm) | 20 = 20" (500mm) |
| 8 = 8" (200mm) | 24 = 24" (600mm) |
| 10 = 10" (250mm) | 30 = 30" (750mm) |
| 12 = 12" (300mm) | 36 = 36" (900mm) |

Notes: Gate roller supports are required on 24" 30" and 36" valves when the valve is not mounted in an upright position.

Body Style

Give body style code as follows:

MSU = Metal Seated Unidirectional

End Connection

Give end connection code as follows:

F1 = Flanged, ASME 150 UNC Tapping for Threads

Ordering Example:

KGN,6,MSU,F1,S2,MSP,S2-M*Actuator

Body Material

Give body material code as follows:

S1 = 304 Stainless Steel (10" and larger only)
S2 = 316 Stainless Steel

Packing Material

Give packing material code as follows:

Standard Packing

MSP = Square Braided PTFE Impregnated Synthetic Fiber to 500°F (260°C) (pH Range 4-10)

Special Packing

CWP = Square Braided PTFE Packing with one ring Copper Wire Braided Scraper to 500°F (260°C) (pH Range 4-10)
TDP = Dry Service Square Braided PTFE Packing with solid PTFE Cord to 500°F (260°C) (pH Range 0-14)
HBP = High Temperature Braided Packing to 1000°F (540°C) (pH Range 4-10)
KWP = Square Braided PTFE Packing with One Ring Kevlar® (para-aramid) Fiber Scraper to 500°F (260°C) (pH Range 4-10)
M03055 = PTFE Square Braided Packing with AFLAS® Fluoroelastomer Cord to 400°F (205°C) (pH Range 0-14)

Gate Material

Give gate material code as follows:

S1 = 304 Stainless Steel (10" and larger only)
S2 = 316 Stainless Steel

Seat Material

Give seat material code as follows:

M = Metal Seated to 1000°F (540°C)

Note:
The limiting factor in valve selection is the lowest temperature limit of the packing or seat.

Manual Actuators

Manual Actuators are available with Carbon Steel (CS) or Type 304 Stainless Steel (S1) Yoke.

Handwheel Actuators

| Valve Size | Order Code | | Maximum Pressure Differential (psi/kPa) |
|--------------|---------------|------------|---|
| | Yoke Material | | |
| | Carbon Steel | 304 SST | |
| 2" 50mm | MN-HD10-CS | MN-HD10-S1 | 150 1030 |
| 3" 80mm | MN-HD10-CS | MN-HD10-S1 | 150 1030 |
| 4" 100mm | MN-HD10-CS | MN-HD10-S1 | 150 1030 |
| 6" 150mm | MN-HD12-CS | MN-HD12-S1 | 150 1030 |
| 8" 200mm | MN-HD12-CS | MN-HD12-S1 | 150* 1030 |
| 10" 250mm | MN-HD14-CS | MN-HD14-S1 | 150* 1030 |
| 12" 300mm | MN-HD14-CS | MN-HD14-S1 | 125* 860 |
| 14" 350mm | MN-HD18-CS | MN-HD18-S1 | 100* 690 |
| 16" 400mm | MN-HD18-CS | MN-HD18-S1 | 75* 515 |
| 18" 450mm | MN-HD24-CS | MN-HD24-S1 | 50* 340 |
| 20" 500mm | MN-HD24-CS | MN-HD24-S1 | 25* 170 |
| 24" 600mm | MN-HD24-CS | MN-HD24-S1 | 25* 170 |

* Bevel gear actuators recommended for dry solids paper stock slurries or when pressure exceeds limits shown.

Ordering Example:

KG N,14,MSU,F1,S2,MSP,S2-M*MN-HD18-S1

Bevel Gear Handwheel Actuators

| Valve Size | Order Code | | Maximum Pressure Differential (psi/kPa) |
|--------------|---------------|-------------|---|
| | Yoke Material | | |
| | Carbon Steel | 304 SST | |
| 10" 250mm | MNB-HD12-CS | MNB-HD12-S1 | 150 1030 |
| 12" 300mm | MNB-HD12-CS | MNB-HD12-S1 | 150 1030 |
| 14" 350mm | MNB-HD12-CS | MNB-HD12-S1 | 150 1030 |
| 16" 400mm | MNB-HD12-CS | MNB-HD12-S1 | 150 1030 |
| 18" 450mm | MNB-HD12-CS | MNB-HD12-S1 | 150 1030 |
| 20" 500mm | MNB-HD16-CS | MNB-HD16-S1 | 150 1030 |
| 24" 600mm | MNB-HD16-CS | MNB-HD16-S1 | 150 1030 |
| 30" 750mm | MNB-HD30-CS | MNB-HD30-S1 | 100 690 |
| 36" 900mm | MNB-HD30-CS | MNB-HD30-S1 | 100 690 |

Notes:

Available with 180 degree mounting add -180 after the actuator order code and as 2nd line information on the order.

Bevel Gear actuators provide vertical mounting of the handwheel or chainwheel or can be used where space limitations dry solids paper stock slurries or pressure limits prohibit the use of a standard handwheel actuator.

Ordering Example:

KG N,14,MSU,F1,S2,MSP,S2-M*MNB-HD12-S1

Cylinder Actuators

Cylinder Actuators are available with Carbon Steel (CS) or Type 304 Stainless Steel (S1) Yoke.

60 PSI (410 kPa) Air Supply

| Valve Size | Order Code | | Maximum Pressure Differential (psi/kPa) | |
|--------------|-------------------|--------------|---|-----------------|
| | | | On - Off | |
| | Carbon Steel Yoke | 304 SST Yoke | Dry Solids Slurries Paper Stock | Liquids & Gases |
| 2" 50mm | CY-PC4-CS | CY-PC4-S1 | 150 1030 | 150 1030 |
| | CY-PC4-CS | CY-PC4-S1 | 150 1030 | 150 1030 |
| 3" 80mm | CY-PC4-CS | CY-PC4-S1 | 100 690 | 150 1030 |
| | CY-PC6-CS | CY-PC6-S1 | 150 1030 | N/R |
| 4" 100mm | CY-PC4-CS | CY-PC4-S1 | N/A | 50 340 |
| | CY-PC6-CS | CY-PC6-S1 | 125 860 | 150 1030 |
| | CY-PC8-CS | CY-PC8-S1 | 150 1030 | N/R |
| 6" 150mm | CY-PC6-CS | CY-PC6-S1 | 75 515 | 125 860 |
| | CY-PC8-CS | CY-PC8-S1 | 150 1030 | 150 1030 |
| 8" 200mm | CY-PC8-CS | CY-PC8-S1 | 100 690 | 150 1030 |
| | CY-PC10-CS | CY-PC10-S1 | 150 1030 | N/R |
| 10" 250mm | CY-PC8-CS | CY-PC8-S1 | 75 515 | 125 860 |
| | CY-PC10-CS | CY-PC10-S1 | 125 860 | 150 1030 |
| | CY-PC12-CS | CY-PC12-S1 | 150 1030 | N/R |
| 12" 300mm | CY-PC10-CS | CY-PC10-S1 | 100 690 | 150 1030 |
| | CY-PC12-CS | CY-PC12-S1 | 150 1030 | N/R |
| 14" 350mm | CY-PC10-CS | CY-PC10-S1 | 100 690 | 150 1030 |
| | CY-PC12-CS | CY-PC12-S1 | 150 1030 | N/R |
| 16" 400mm | CY-PC10-CS | CY-PC10-S1 | 75 515 | 125 860 |
| | CY-PC12-CS | CY-PC12-S1 | 125 860 | 150 1030 |
| | CY-PC14-CS | CY-PC14-S1 | 150 1030 | N/R |
| 18" 450mm | CY-PC12-CS | CY-PC12-S1 | 100 690 | 150 1030 |
| | CY-PC14-CS | CY-PC14-S1 | 150 1030 | N/R |
| 20" 500mm | CY-PC12-CS | CY-PC12-S1 | 50 340 | 125 860 |
| | CY-PC14-CS | CY-PC14-S1 | 125 860 | 150 1030 |
| | CY-PC16-CS | CY-PC16-S1 | 150 1030 | N/R |
| 24" 600mm | CY-PC12-CS | CY-PC12-S1 | 25 170 | 75 515 |
| | CY-PC14-CS | CY-PC14-S1 | 75 515 | 100 690 |
| | CY-PC16-CS | CY-PC16-S1 | 150 1030 | N/R |
| 30" 750mm | CY-PC14-CS | CY-PC14-S1 | 25 170 | 75 515 |
| | CY-PC16-CS | CY-PC16-S1 | 75 515 | 100 690 |
| | CY-PC18-CS | CY-PC18-S1 | 100 690 | N/R |
| 36" 900mm | CY-PC14-CS | CY-PC14-S1 | N/A | 50 340 |
| | CY-PC16-CS | CY-PC16-S1 | 25 170 | 75 515 |
| | CY-PC18-CS | CY-PC18-S1 | 75 515 | 100 690 |
| | CY-PC20-CS | CY-PC20-S1 | 100 690 | N/R |

N/R = Not Required. Use next smaller actuator.
N/A = Not Available. Use next larger actuator.

80 PSI (550 kPa) Air Supply

| Valve Size | Order Code | | Maximum Pressure Differential (psi/kPa) | |
|--------------|-------------------|--------------|---|-----------------|
| | | | On - Off | |
| | Carbon Steel Yoke | 304 SST Yoke | Dry Solids Slurries Paper Stock | Liquids & Gases |
| 2" 50mm | CY-PC4-CS | CY-PC4-S1 | 150 1030 | 150 1030 |
| | CY-PC4-CS | CY-PC4-S1 | 150 1030 | 150 1030 |
| 3" 80mm | CY-PC4-CS | CY-PC4-S1 | 150 1030 | 150 1030 |
| | CY-PC4-CS | CY-PC4-S1 | 150 1030 | 150 1030 |
| 4" 100mm | CY-PC4-CS | CY-PC4-S1 | 50 340 | 75 515 |
| | CY-PC6-CS | CY-PC6-S1 | 150 1030 | 150 1030 |
| 6" 150mm | CY-PC6-CS | CY-PC6-S1 | 100 690 | 150 1030 |
| | CY-PC8-CS | CY-PC8-S1 | 150 1030 | N/R |
| 8" 200mm | CY-PC8-CS | CY-PC8-S1 | 150 1030 | 150 1030 |
| | CY-PC8-CS | CY-PC8-S1 | 150 1030 | 150 1030 |
| 10" 250mm | CY-PC8-CS | CY-PC8-S1 | 100 690 | 150 1030 |
| | CY-PC10-CS | CY-PC10-S1 | 150 1030 | N/R |
| 12" 300mm | CY-PC8-CS | CY-PC8-S1 | 125 860 | 150 1030 |
| | CY-PC12-CS | CY-PC12-S1 | 150 1030 | N/R |
| 14" 350mm | CY-PC10-CS | CY-PC10-S1 | 100 690 | 150 1030 |
| | CY-PC12-CS | CY-PC12-S1 | 150 1030 | N/R |
| 16" 400mm | CY-PC10-CS | CY-PC10-S1 | 100 690 | 150 1030 |
| | CY-PC12-CS | CY-PC12-S1 | 150 1030 | N/R |
| 18" 450mm | CY-PC12-CS | CY-PC12-S1 | 150 1030 | 150 1030 |
| | CY-PC12-CS | CY-PC12-S1 | 125 860 | 150 1030 |
| 20" 500mm | CY-PC12-CS | CY-PC12-S1 | 150 1030 | N/R |
| | CY-PC14-CS | CY-PC14-S1 | 75 515 | 150 1030 |
| 24" 600mm | CY-PC12-CS | CY-PC12-S1 | 150 1030 | N/R |
| | CY-PC14-CS | CY-PC14-S1 | 150 1030 | N/R |
| 30" 750mm | CY-PC12-CS | CY-PC12-S1 | 25 170 | 75 515 |
| | CY-PC14-CS | CY-PC14-S1 | 75 515 | 100 690 |
| | CY-PC16-CS | CY-PC16-S1 | 100 690 | N/R |
| 36" 900mm | CY-PC14-CS | CY-PC14-S1 | 25 170 | 75 515 |
| | CY-PC16-CS | CY-PC16-S1 | 75 515 | 100 690 |
| | CY-PC18-CS | CY-PC18-S1 | 100 690 | N/R |

Ordering Example:

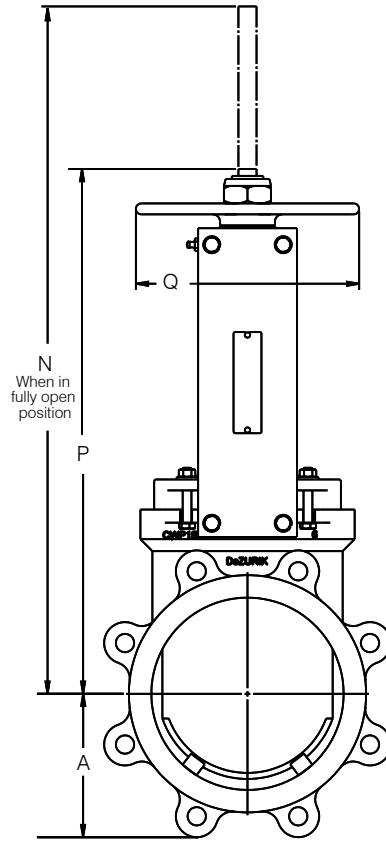
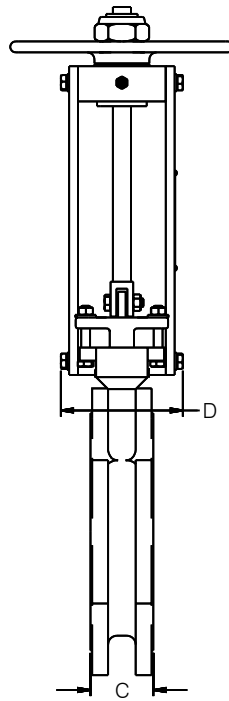
KGN,4,MSU,F1,S2,MSPS2-M*CY-PC4-CS-180
Actuator mounted 180 degree from standard

Dimensions

Basic Valve with Handwheel Actuator

| Valve Size | A | C | D | N | P | Q |
|--------------|--------------|-------------|------------------------------------|---------------|---------------|--------------|
| 2" 50mm | 2.30 58 | 1.88 48 | 3.24 82 | 13.36 339 | 11.19 284 | 10.00 254 |
| 3" 80mm | 2.87 73 | 2.00 51 | 3.39 86 | 16.86 428 | 13.83 351 | 10.00 254 |
| 4" 100mm | 4.21 107 | 2.00 51 | 3.39 86 | 19.24 489 | 15.35 390 | 10.00 254 |
| 6" 150mm | 5.14 131 | 2.25 57 | 4.37 111 | 25.43 646 | 18.80 478 | 12.00 305 |
| 8" 200mm | 6.22 158 | 2.75 70 | 4.51 115 | 29.47 749 | 21.91 557 | 12.00 305 |
| 10" 250mm | 7.67 195 | 2.75 70 | 5.17 131 | 34.77 883 | 25.37 644 | 14.00 356 |
| 12" 300mm | 9.00 229 | 3.00 76 | 6.12 155 | 39.62 1006 | 28.29 719 | 14.00 356 |
| 14" 350mm | 10.04 255 | 3.00 76 | 6.36 162 | 43.81 1113 | 31.53 801 | 18.00 457 |
| 16" 400mm | 11.41 290 | 3.50 89 | 7.31 186 | 49.80 1265 | 35.57 904 | 18.00 457 |
| 18" 450mm | 12.24 311 | 3.50 89 | 7.31 186 | 55.28 1404 | 39.26 997 | 24.00 610 |
| 20" 500mm | 13.43 341 | 4.50 114 | 8.38 213 | 60.98 1549 | 43.14 1096 | 24.00 610 |
| 24" 600mm | 15.75 400 | 4.50 114 | 8.36 212 | 70.39 1788 | 48.93 1243 | 24.00 610 |
| 30" 750mm | 19.28 490 | 4.62 117 | Refer to Bevel Gear Actuator Chart | | | |
| 36" 900mm | 22.89 581 | 4.62 117 | | | | |

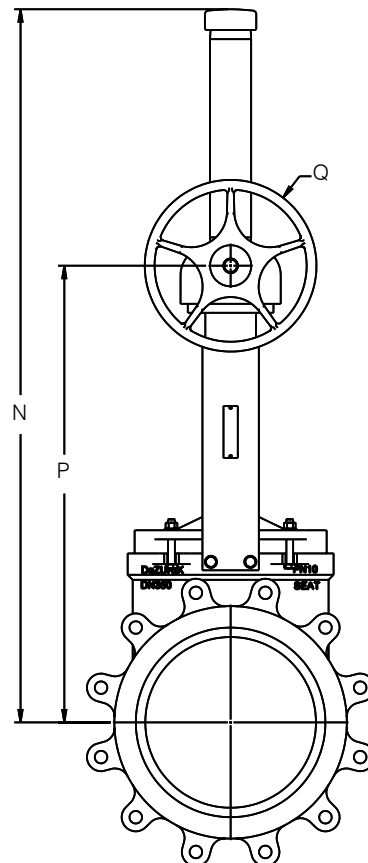
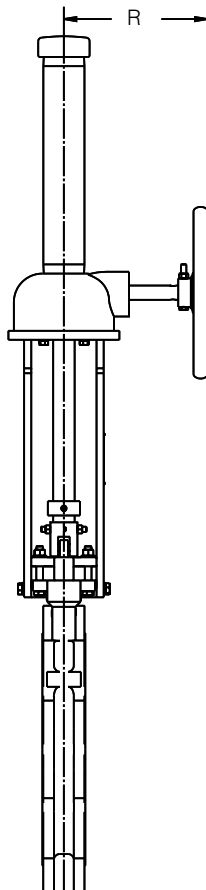
Inches
Millimeters



Bevel Gear Actuator

| Valve Size | N | P | Q | R |
|--------------|----------------|---------------|--------------|--------------|
| 10" 250mm | 40.66 1033 | 26.24 667 | 12.00 305 | 10.12 257 |
| 12" 300mm | 44.09 1120 | 29.67 754 | 12.00 305 | 10.12 257 |
| 14" 350mm | 49.84 1266 | 31.91 811 | 12.00 305 | 10.12 257 |
| 16" 400mm | 53.55 1360 | 35.63 905 | 12.00 305 | 10.12 257 |
| 18" 450mm | 61.45 1561 | 39.52 1004 | 12.00 305 | 10.12 257 |
| 20" 500mm | 65.05 1652 | 43.12 1095 | 16.00 406 | 10.50 267 |
| 24" 600mm | 74.78 1899 | 48.85 1241 | 16.00 406 | 10.50 267 |
| 30" 750mm | 105.93 2691 | 69.31 1761 | 30.00 762 | 12.49 317 |
| 36" 900mm | 116.81 2967 | 80.20 2037 | 30.00 762 | 12.49 317 |

Inches
Millimeters



Dimensions

Cylinder Actuator

2-20" (50-500mm)

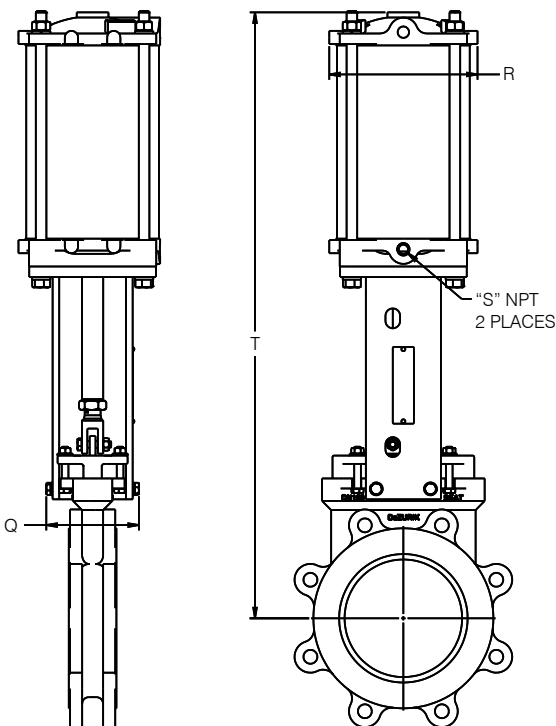
| Valve Size | Actuator Code | Q | R | S | T |
|--------------|---------------|-------------|--------------|------|---------------|
| 2" 50mm | CY-PC4 | 3.08 78 | 5.00 127 | 1/4" | 18.95 481 |
| | CY-PC4 | 3.26 83 | 5.00 127 | 1/4" | 22.18 563 |
| 4" 100mm | CY-PC4 | 3.26 83 | 5.00 127 | 1/4" | 23.71 602 |
| | CY-PC6 | 3.26 83 | 7.00 178 | 1/4" | 25.31 643 |
| 6" 150mm | CY-PC4 | 4.37 111 | 5.00 128 | 1/4" | 28.91 734 |
| | CY-PC6 | 4.37 111 | 7.00 178 | 1/4" | 28.93 735 |
| | CY-PC8 | 4.37 111 | 9.00 229 | 1/4" | 29.37 746 |
| 8" 200mm | CY-PC6 | 4.50 114 | 7.00 178 | 1/2" | 34.15 867 |
| | CY-PC8 | 4.50 114 | 9.00 229 | 1/2" | 34.63 880 |
| 10" 250mm | CY-PC8 | 5.39 137 | 9.00 229 | 1/2" | 42.54 1081 |
| | CY-PC10 | 5.39 137 | 11.25 286 | 1/2" | 43.95 1116 |
| 12" 300mm | CY-PC8 | 6.18 157 | 9.00 229 | 1/2" | 45.85 1165 |
| | CY-PC10 | 6.18 157 | 11.25 286 | 1/2" | 47.25 1200 |
| | CY-PC12 | 6.18 157 | 13.25 337 | 1/2" | 47.22 1199 |
| 14" 350mm | CY-PC10 | 6.41 163 | 11.25 286 | 1/2" | 53.04 1347 |
| | CY-PC12 | 6.41 163 | 13.25 337 | 1/2" | 53.01 1347 |
| 16" 400mm | CY-PC10 | 7.27 185 | 11.25 286 | 1/2" | 56.44 1434 |
| | CY-PC12 | 7.27 185 | 13.25 337 | 1/2" | 56.41 1433 |
| | CY-PC14 | 7.27 185 | 15.50 394 | 1/2" | 56.47 1434 |
| 18" 450mm | CY-PC12 | 7.31 186 | 13.25 337 | 1/2" | 64.30 1633 |
| | CY-PC14 | 7.31 186 | 15.50 394 | 1/2" | 64.36 1635 |
| 20" 500mm | CY-PC12 | 8.10 206 | 13.25 337 | 1/2" | 67.90 1725 |
| | CY-PC14 | 8.10 206 | 15.50 394 | 1/2" | 67.96 1726 |
| | CY-PC16 | 8.10 206 | 17.00 432 | 1/2" | 69.59 1768 |

Inches
Millimeters

24-36" (600-900mm)

| Valve Size | Actuator Code | Q | R | S | T |
|--------------|---------------|-------------|--------------|------|----------------|
| 24" 600mm | CY-PC12 | 8.36 212 | 13.25 337 | 1/2" | 77.63 1972 |
| | CY-PC14 | 8.36 212 | 15.50 394 | 1/2" | 77.69 1973 |
| | CY-PC16 | 8.36 212 | 17.00 432 | 1/2" | 79.32 2015 |
| 30" 750mm | CY-PC12 | 9.46 240 | 13.25 337 | 1/2" | 91.30 2319 |
| | CY-PC14 | 9.46 240 | 15.50 394 | 1/2" | 92.05 2338 |
| | CY-PC16 | 9.46 240 | 17.00 432 | 1/2" | 92.18 2341 |
| | CY-PC18 | 9.46 240 | 19.00 483 | 1/2" | 92.43 2348 |
| 36" 900mm | CY-PC14 | 9.46 240 | 15.50 394 | 1/2" | 108.75 2762 |
| | CY-PC16 | 9.46 240 | 17.00 432 | 1/2" | 108.88 2766 |
| | CY-PC18 | 9.46 240 | 19.00 483 | 1/2" | 109.00 2769 |
| | CY-PC20 | 9.46 240 | 21.00 533 | 1/2" | 109.38 2778 |

Inches
Millimeters



Cylinder Actuator Accessories

Air Filter Regulator

The DeZURIK Air Filter Regulator is designed to provide clean accurate air pressure to all pneumatic actuators.

Position Indicating Switches

For all pneumatic actuators position indicating switches may be ordered as part of a complete valve/actuator assembly. Two switches will automatically be set to indicate full open and full closed positions.

Four-Way Solenoid Valve

For all pneumatic actuators solenoid valves may be ordered mounted and piped as part of the complete valve/actuator assembly or as a separate item.



Need Knife Gate Valve pricing or support for your mining project? Contact us for more assistance.

Perth Branch

U2/41-45 Furnace Road
Welshpool WA 6106
Phone: +61 8 9353 2565
sales@thevalvecompany.com.au

Kalgoorlie Branch

2/69 Craig Road
West Kalgoorlie WA 6430
Phone: +61 8 9021 6668
sales@thevalvecompany.com.au

Brisbane Branch

U5/225 Queensport Road
North Murrarie QLD 4172
Phone: +61 7 3348 8636
sales@thevalvecompany.com.au

Bunbury Branch

Phone: +61 417 744 791
sales@thevalvecompany.com.au